



Description & Features:

- A general purpose, versatile 1" (25mm) to 6" (150mm) dial, 304 stainless steel thermometer
- Bi-metallic sensing element for reliable readings
- Back, bottom or adjustable angle connection
- Stem length from 2.5" (63mm) and up
- $\pm 1\%$ accuracy
- Anti-parallax dial that reduces operator reading errors
- Re-zero adjustment screws are standard on the 2" (50mm) to 6" (150mm) dials
- 1 year warranty

Applications:

- Industrial process, food processing and wastewater

Specifications	
Dial	1" (25mm), 2" (50mm), 3" (75mm), 4" (100mm), 5" (125mm), 6" (150mm) aluminum with black markings, dish-shaped
Case	AISI 304 SS
Stem	AISI 304 SS, centre back, bottom or adjustable angle configurations 2" (50mm): centre back connection only
Recalibrator	Standard*
Lens	1" (25mm): Acrylic Others: Glass standard, hermetically sealed
Ring	AISI 304 SS
Connection	1" (25mm): None 2" (50mm): 1/4" NPT standard 3" (75mm), 4" (100mm), 5" (125mm), 6" (150mm): 1/2" NPT standard
Movement	Bi-metallic coil
Pointer	Brass, painted black
Maximum Operating Pressure	125 psi (861 kPa)**
Operating Temperature	75% of full scale value (recommended maximum)
Ambient Temperature	-58°F to 248°F (-50°C to 120°C)
Accuracy	$\pm 1\%$
Enclosure Rating	IP65

*Not available on 1" pocket and 2" laboratory thermometer

**For pressures above 125 psi (861 kPa) it is recommended that a Winters Thermowell be used in conjunction with the Bi-Metal Thermometer

TBM Bi-Metal Thermometer

Order Codes (products in bold are normally in stock)

To order, specify the code for each dial/stem length and the range: i.e. TBM20025 - B26

Dial Size	Stem Length	Fixed Centre Back	Bottom	Adjustable Angle
1" (25mm) pocket thermometer	5" (125mm)	TBM10050	-	-
2" (50mm) lab thermometer	8" (200mm)	TBM20080	-	-
2" (50mm)	2.5" (63mm)	TBM20025	-	-
	4" (100mm)	TBM20040	-	-
	6" (150mm)	TBM20060	-	-
	9" (225mm)	TBM20090	-	-
	12" (300mm)	TBM20120	-	-
3" (75mm)	2.5" (63mm)	TBM30025	TBM31025	TBM32025
	4" (100mm)	TBM30040	TBM31040	TBM32040
	6" (150mm)	TBM30060	TBM31060	TBM32060
	9" (225mm)	TBM30090	TBM31090	TBM32090
	12" (300mm)	TBM30120	TBM31120	TBM32120
4" (100mm)	2.5" (63mm)	TBM40025	TBM41025	TBM42025
	4" (100mm)	TBM40040	TBM41040	TBM42040
	6" (150mm)	TBM40060	TBM41060	TBM42060
	9" (225mm)	TBM40090	TBM41090	TBM42090
	12" (300mm)	TBM40120	TBM41120	TBM42120
5" (125mm)	2.5" (63mm)	TBM50025	TBM51025	TBM52025
	4" (100mm)	TBM50040	TBM51040	TBM52040
	6" (150mm)	TBM50060	TBM51060	TBM52060
	9" (225mm)	TBM50090	TBM51090	TBM52090
	12" (300mm)	TBM50120	TBM51120	TBM52120
6" (150mm)	2.5" (63mm)	TBM60025	TBM61025	TBM62025
	4" (100mm)	TBM60040	TBM61040	TBM62040
	6" (150mm)	TBM60060	TBM61060	TBM62060
	9" (225mm)	TBM60090	TBM61090	TBM62090
	12" (300mm)	TBM60120	TBM61120	TBM62120

Available Ranges					
°F & °C (Dual)	Code	°F only	Code	°C Only	Code
-100°F to 150°F & -70°C to 70°C	B1	-40°F to 120°F	B14	-80°C to 50°C	B26
-40°F to 120°F & -40°C to 50°C	B2	-40°F to 160°F	B15	-50°C to 50°C	B27
0°F to 140°F & -20°C to 60°C	B3	0°F to 140°F	B16	0°C to 50°C	B28
-40°F to 160°F & -40°C to 70°C	B4	0°F to 200°F	B17	-50°C to 100°C	B29
25°F to 125°F & -5°C to 50°C	B5	20°F to 240°F	B18	0°C to 100°C	B30
0°F to 200°F & -20°C to 90°C	B6	0°F to 250°F	B19	-20°C to 120°C	B31
20°F to 240°F & -5°C to 115°C	B7	50°F to 300°F	B20	0°C to 150°C	B32
0°F to 250°F & -20°C to 120°C	B8	50°F to 400°F	B21	0°C to 200°C	B33
50°F to 300°F & 10°C to 150°C	B9	50°F to 550°F	B22	0°C to 300°C	B34
50°F to 400°F & 10°C to 200°C	B10	150°F to 750°F	B23	0°C to 450°C	B35
50°F to 500°F & 10°C to 260°C	B11	0°F to 800°F	B24	100°C to 550°C	B36
150°F to 750°F & 100°C to 400°C	B12	200°F to 1,000°F	B25	-	-
200°F to 1,000°F & 100°C to 540°C	B13	-	-	-	-

Option suffix for above order codes only:

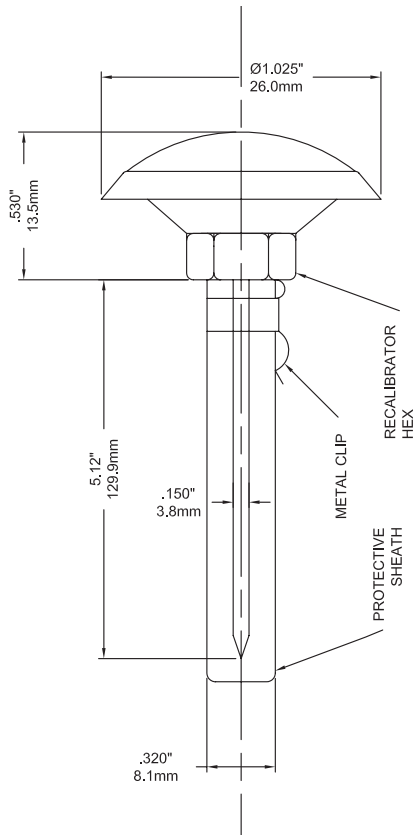
6" models flat dial only
 AP3 = 3" acrylic lens
 AP4 = 4" acrylic lens
 AP5 = 5" acrylic lens
 AP6 = 6" acrylic lens

BG3 = 3" glycerin filling
 BG4 = 4" glycerin filling
 BG5 = 5" glycerin filling
 BG6 = 6" glycerin filling
 DUCT = Aluminum duct flange

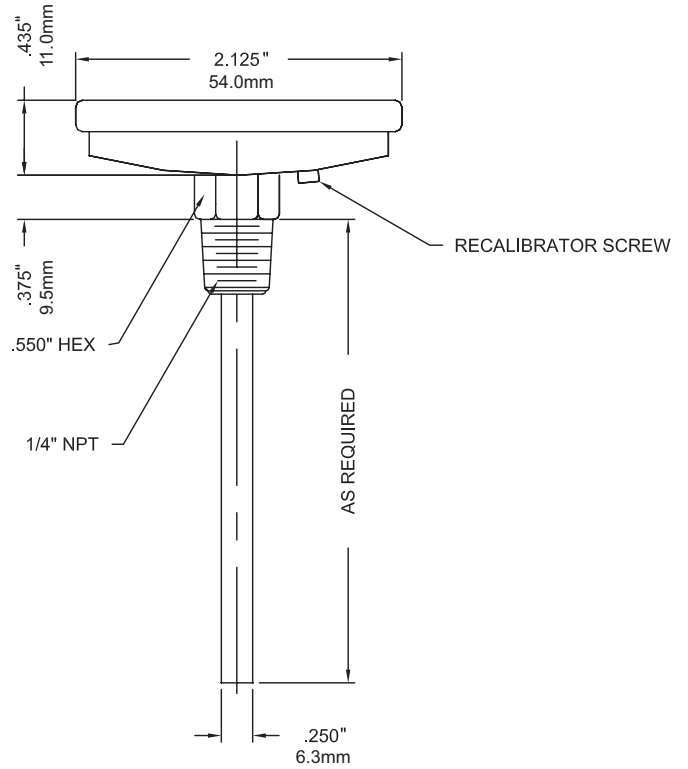
Longer stem lengths are available
 SCK = Socket conversion kit
 Silicone fill is available
 SPG3 = 3" Shatterproof glass lens
 SPG5 = 5" Shatterproof glass lens

Note: For pressures above 125 psi (861 kPa) it is recommended that a Winters Thermowell be used in conjunction with the Bi-Metal Thermometer

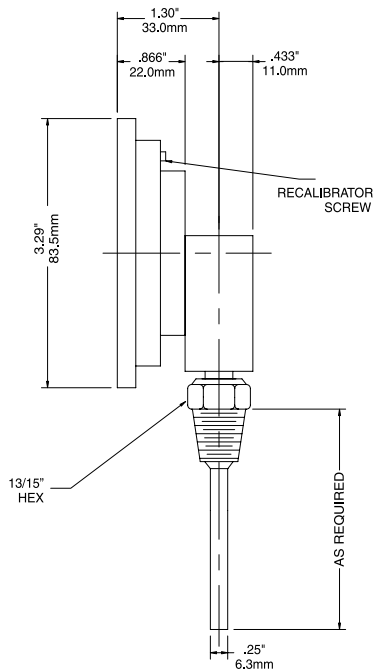
1" Back Connection



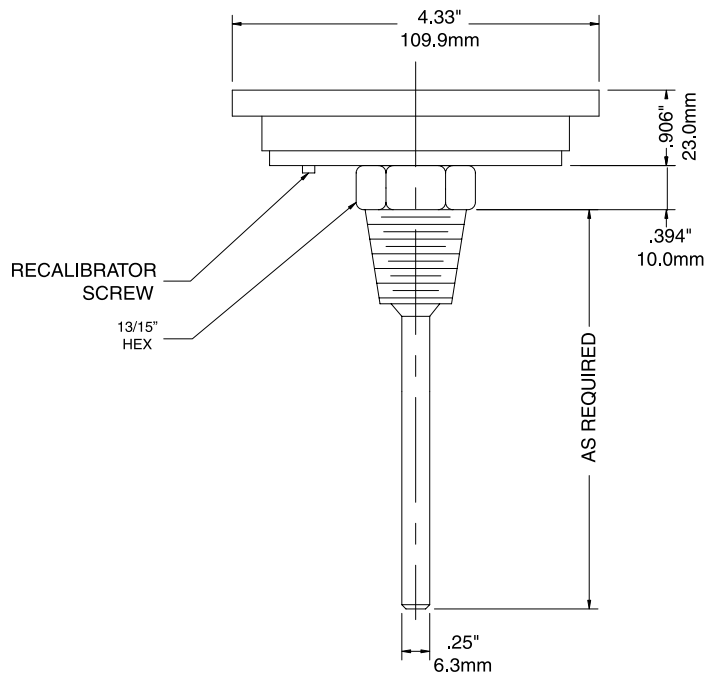
2" Back Connection



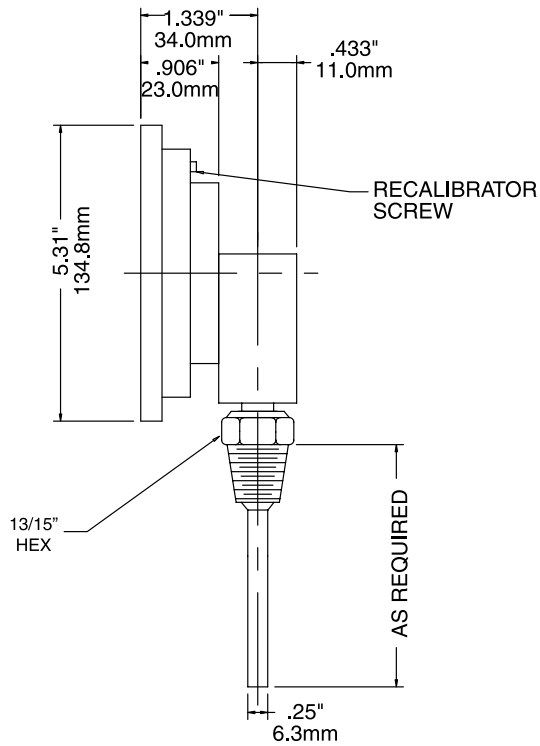
3" Bottom Connection



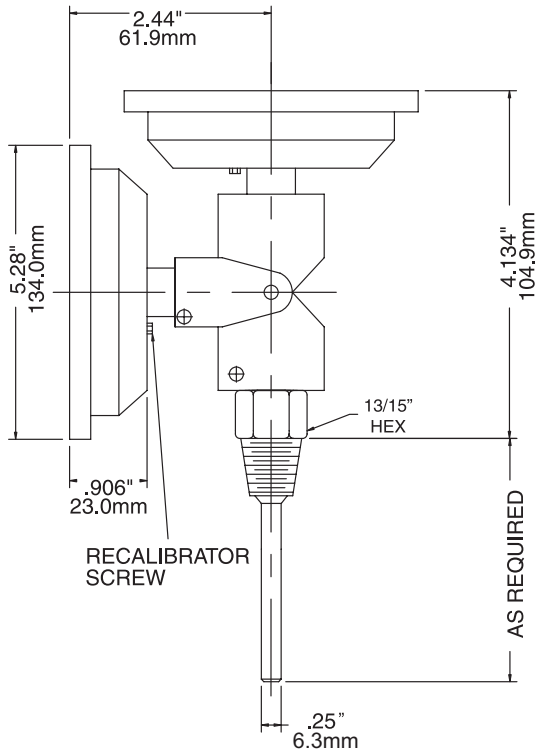
4" Back Connection



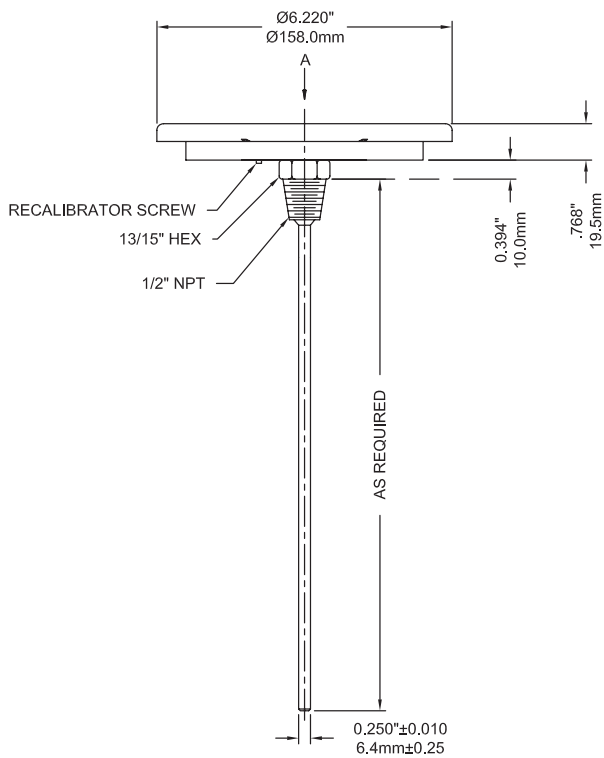
5" Bottom Connection



5" Adjustable Angle



6" Back Connection



6" Bottom Connection

