



Description & Features:

- A durable and accurate thermometer with a rigid connection
- Separable thermowell
- Rugged steel case
- Bi-metallic element
- Dual scale (°F & °C)
- Back or bottom connected
- 1/2" NPT process connection
- 1 year warranty

Applications:

- Hot water lines, boilers and hydronic heating

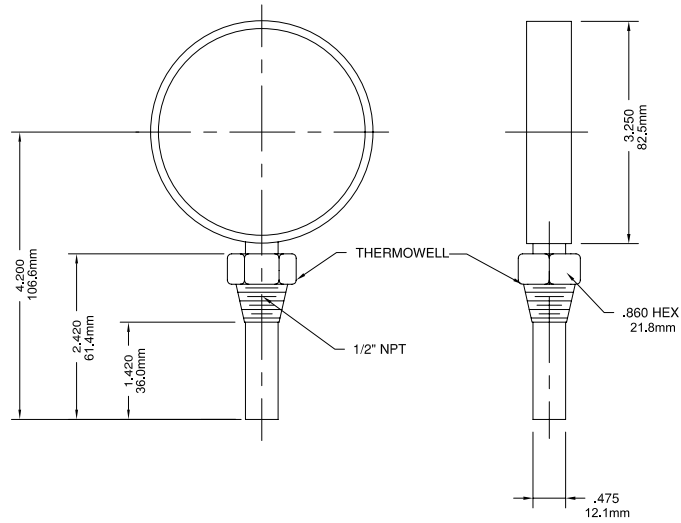
Specifications	
Dial	3.5" (90mm), aluminum with black markings
Case	Steel
Lens	Glass
Ring	Steel chrome plated
Stem	Brass
Thermowell	Brass, 1/2" NPT (standard), separable
Recalibrator	Standard
Movement	Bi-metallic coil
Pointer	Aluminum, painted black
Over Range Enclosure Rating	±25% of full scale value
Reset	Standard
Ambient Temperature	-22°F to 158°F (-30°C to 70°C)
Process Temperature	-22°F to 250°F (-30°C to 120°C)
Accuracy	±2% of full scale
Enclosure Rating	IP50

Order Codes (products in bold are normally in stock)

	Bottom	Back
30°F to 250°F & 0°C to 121°C	TBT165	TBT160
0°F to 120°F & 0°C to 48°C	-	TBT161

Note: Other ranges and thread sizes available upon request

Bottom Connection



Series Number (for custom, non-standard product)

	T	B	T	-			-		-													
SERIES																						
DIAL SIZE																						
3.5"						3	5															
4"						4	0															
CONFIGURATION																						
Back																				0		
Bottom																				1		
STEM LENGTH																						
2.5"												0	2	5								
3"												0	3	0								
4"												0	4	0								
Other (in inches X10)												X	X	X								
THERMOWELL MATERIAL																						
Brass																				B		
304 SS																				2		
THREAD SIZE																						
1/2"																				2		
Special																				Z		
THREAD TYPE																						
NPT																				N		
BSP																				B		
BSPT																				T		
M20x1.5																				M		
RANGE																						
30/250 F&C																				B	0	1
0/120 F&C																				B	0	2
Minus 22/120 F&C																				B	0	3