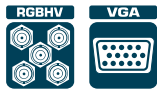


VP-1

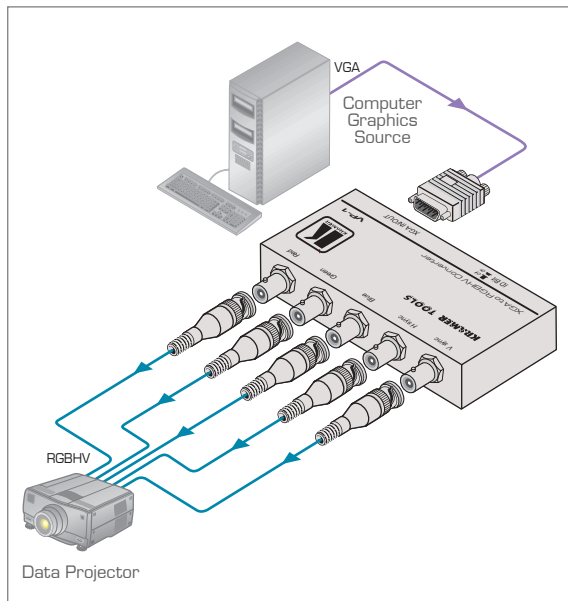
15-pin HD to 5 BNC Bidirectional Format Converter



The **VP-1** is a high-performance passive format converter for all RGBHV and 15-pin HD connector applications. It converts 15-pin HD computer graphics video signals to five BNC RGBHV signals and vice versa.

FEATURES

- Bandwidth - 1800MHz (-3dB).
- HDTV Compatible.
- ID Bit Control.
- Compact Kramer TOOLS™ - Part of the Kramer TOOLS™ family of compact, high-quality and cost-effective solutions.



TECHNICAL SPECIFICATIONS

INPUT:	VGA/LXGA on a 15-pin HD (F) connector or RGBHV on BNC connectors.
OUTPUTS:	RGBHV on BNC connectors or VGA/LXGA on a 15-pin HD connector.
MAX. OUTPUT LEVEL:	4Vpp/75Ω.
BANDWIDTH (-3dB):	1800MHz (1.8GHz).
CONTROLS:	ID bit on/off.
DIMENSIONS:	9.9cm x 4.65cm x 2.41cm (3.9" x 1.8" x 0.95") W, D, H.
WEIGHT:	0.2kg (0.44lbs) approx.

