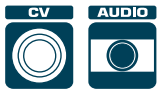


103AV

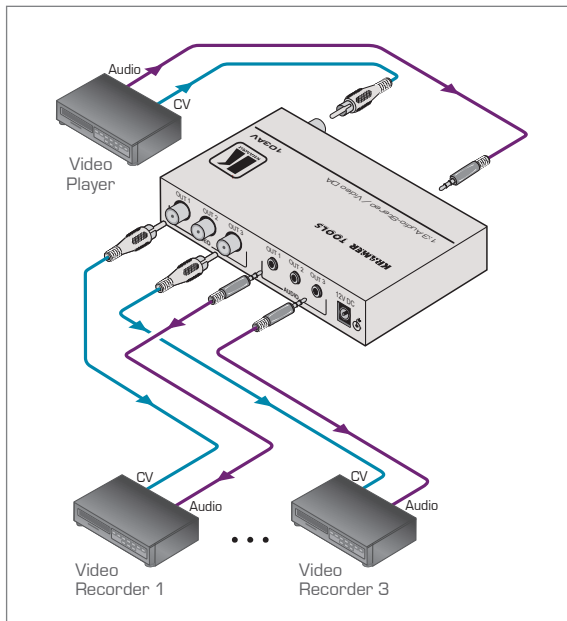
1:3 Composite Video & Stereo Audio Distribution Amplifier



The **103AV** is a compact distribution amplifier for composite video and unbalanced stereo audio signals. It takes one input, provides correct buffering and isolation and distributes the signal to three identical outputs.

FEATURES

- High Bandwidth - 320MHz (-3dB).
- Compact Kramer TOOLS™ - 3 units can be rack mounted side-by-side in a 1U rack space with the optional RK-3T rack adapter.



TECHNICAL SPECIFICATIONS

INPUTS:	1 composite video, 1Vpp/75Ω on an RCA connector; 1 unbalanced stereo audio, 1Vpp/33kΩ on 3.5 mm mini jack.
OUTPUTS:	3 composite video, 1Vpp/75Ω on RCA connectors; 3 unbalanced stereo audio, 1Vpp/150Ω on 3.5mm mini jacks.
MAX. VIDEO OUTPUT:	2Vpp.
VIDEO BANDWIDTH (-3dB):	320MHz.
AUDIO BANDWIDTH (-3dB):	20kHz.
DIFF. GAIN:	0.1%.
DIFF. PHASE:	0.16Deg.
K-FACTOR:	<0.05%.
VIDEO S/N RATIO:	72dB.
AUDIO S/N RATIO:	85dB unweighted.
CROSSTALK:	-70dB @20kHz.
VIDEO COUPLING:	AC.
AUDIO THD+NOISE:	0.02%.
POWER SOURCE:	12V DC, 50mA.
DIMENSIONS:	12cm x 7.5cm x 2.5cm (4.7" x 2.95" x 0.98") W, D, H.
WEIGHT:	0.28kg (0.62lbs) approx.
ACCESSORIES:	Power supply, mounting bracket.
OPTIONS:	RK-3T 19" rack adapter.

