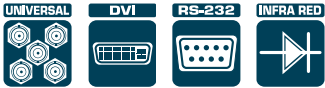


650T/650R

DVI, Bidirectional RS-232 & IR over Coax Transmitter & Receiver

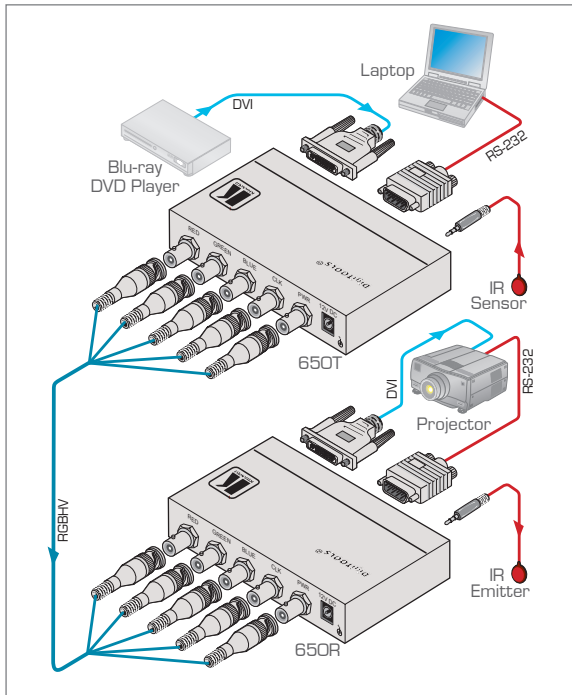
NEW



The **650T** and **650R** are a transmitter and receiver for DVI, RS-232, and IR signals. The **650T** receives the input signals, codes them, and transmits red, green, blue, clock and data signals, as well as power, over five coax cables. The **650R** receiver converts them back into DVI, RS-232 and IR signals.

FEATURES

- Max. Data Rate - 1.65Gbps.
- HDTV Compatible.
- HDCP Compliant.
- Upgrades Legacy RGBHV Cabling to DVI Signals.
- IR & RS-232 Bidirectional Support - IR is compatible with a Kramer transmitter and via a Kramer external remote IR receiver: C-A35M/IRR or C-A35M/IRE or C-A35M/2IRE.
- System Range - Up to 150m (500ft) when using 5xRG-6 cables.
- Power Connect™ System - A single connection to the transmitter powers the receiver through the RG-6 cable.
- Compact DigiTOOLS® - 3 units can be rack mounted side-by-side in a 1U rack space with the optional RK-3T rack adapter.



TECHNICAL SPECIFICATIONS

INPUTS:	1 DVI connector (650T), 5 BNC connectors (650R).
OUTPUTS:	5 BNC connectors (650T), 1 DVI connector (650R).
PORTS:	IR on 3.5mm mini jack, RS-232 on 9-pin D-sub connector.
BANDWIDTH:	Supports up to 1.65Gbps bandwidth per graphic channel.
POWER SOURCE:	12V DC, 330mA.
DIMENSIONS:	12.0cm x 7.0cm x 2.4cm (4.7" x 2.8" x 1.0"). W, D, H.
WEIGHT:	0.3kg (0.7lbs) approx.
ACCESSORIES:	Power supply.
OPTIONS:	RK-3 19" rack adapter. Kramer external remote IR receiver.

RANGE EXTENDERS & REPEATERS

