

# SG-6xl

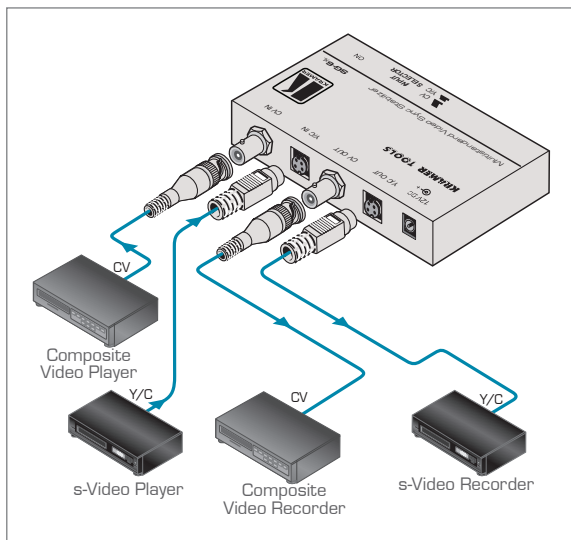
## Composite Video & s-Video Sync Stabilizer



The **SG-6xl** is a sync stabilizer for composite video and s-Video (Y/C) signals. It identifies and corrects missing or erroneous syncs in a video signal.

### FEATURES

- Bandwidth - 26MHz (-3dB).
- Level (Gain) Control.
- Multi-Standard - PAL and NTSC.
- Input - Composite video and s-Video.
- Output - Composite video or s-Video (selectable).
- Compact Kramer TOOLS™ - 3 units can be rack mounted side-by-side in a 1U rack space with the optional RK-3T rack adapter.



### TECHNICAL SPECIFICATIONS

INPUT:	1 composite video 1Vpp/75Ω on a BNC connector; 1 s-Video signal, 1Vpp/75Ω (Y), 0.3Vpp/75Ω (C) on a 4-pin connector.
OUTPUTS:	1 composite video 1Vpp/75Ω on a BNC connector; 1 s-Video signal, 1Vpp/75Ω (Y), 0.3Vpp/75Ω (C) on a 4-pin connector.
MAX. SIGNAL OUTPUT:	1.6Vpp/75Ω.
BANDWIDTH (-3dB):	26MHz.
DIFF. GAIN:	1.1%.
DIFF. PHASE:	0.97Deg.
K-FACTOR:	0.05%.
S/N RATIO:	74.8dB.
CROSSTALK:	-49dB @5MHz.
CONTROL:	Level: -1.2dB to +2dB.
COUPLING:	AC.
POWER SOURCE:	12V DC 33mA.
DIMENSIONS:	12cm x 7.5cm x 2.5cm (4.7" x 2.95" x 0.98") W, D, H.
WEIGHT:	0.3kg (0.66lbs) approx.
ACCESSORIES:	Power supply, mounting bracket.
OPTIONS:	RK-3T 19" rack adapter.

