

VA-10

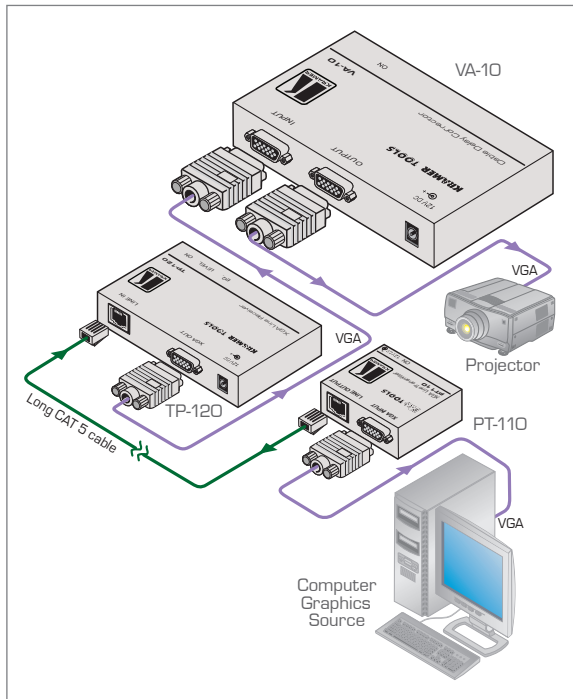
RGB Cable Delay Corrector



The VA-10 corrects skew (delay) errors in long RGB or twisted pair cable runs. Individual R, G, and B skew adjustments correct video delay errors in analog and twisted pair applications that cause mis-convergence on the display.

FEATURES

- Input/Output - 15-pin HD (F) connectors.
- Control - R, G, & B delay (skew) adjustments.
- Compact Kramer TOOLS™ - 3 units can be rack mounted side-by-side in a 1U rack space with the optional RK-3T rack adapter.



TECHNICAL SPECIFICATIONS

INPUT:	1 analog red, green, blue input signals - 0.7Vpp/75Ω, H & V sync, TTL level, on a 15-pin HD (F) connector.
OUTPUT:	1 analog red, green, blue output signals - 0.7Vpp/75Ω, H & V sync, TTL level, on a 15-pin HD (F) connector.
MAX. OUTPUT LEVEL:	1Vpp.
BANDWIDTH (-3dB):	Up to UXGA.
DIFF. GAIN:	0.8%.
DIFF. PHASE:	0.7Deg.
K-FACTOR:	0.4%.
S/N RATIO:	71dB.
CONTROLS:	Delay control via 3 (RGB) trimmers, 0 to 62ns.
COUPLING:	AC IN and OUT.
POWER SOURCE:	12V DC, 150mA.
DIMENSIONS:	12cm x 7.5cm x 2.5cm (4.7" x 2.95" x 0.98") W, D, H.
WEIGHT:	0.3kg (0.67lbs) approx.
ACCESSORIES:	Power supply, mounting bracket.
OPTIONS:	RK-3T 19" rack adapter.

