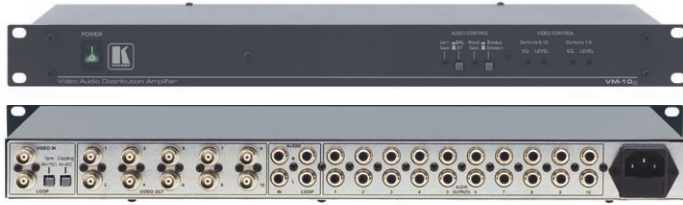
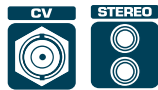


VM-10xI

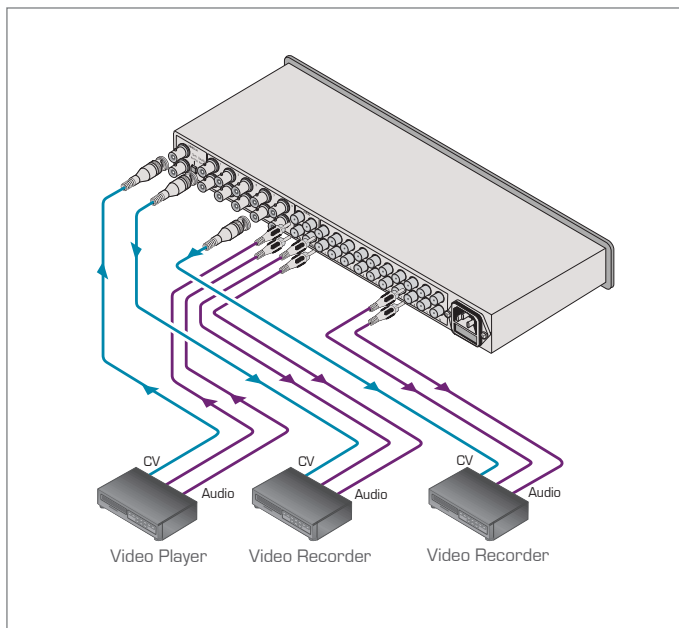
1:10 Composite Video & Stereo Audio Distribution Amplifier



The VM-10xI is a state of the art, broadcast quality 1:10 distribution amplifier for composite or SDI video signals with unbalanced stereo or balanced mono audio. It provides controls to compensate for signal losses inherent in long cable runs.

FEATURES

- High Bandwidth - 360MHz (-3dB).
- Audio Controls.
- Level (Gain) and EQ (Peaking) Controls.
- Looping Input.
- Selectable Input Signal Termination.
- Video AC/DC Coupling Selection.
- Standard 19" Rack Mount Size - 1U.



TECHNICAL SPECIFICATIONS

INPUTS:	1 composite video, looping, 1Vpp/75Ω with termination switch on BNC connectors. 2 audio, stereo or balanced mono, looping, 1Vpp/50kΩ on RCA connectors.
OUTPUTS:	10 composite video, 1Vpp/75Ω on BNC connectors. 10 audio, stereo or balanced mono, 1Vpp/50Ω on RCA connectors.
MAX. OUTPUT LEVEL:	Video: 1.6Vpp; Audio: 26.5Vpp.
BANDWIDTH (-3dB):	Video: 360MHz, Audio: 100kHz.
DIFF. GAIN:	0.07%.
DIFF. PHASE:	0.05Deg.
K-FACTOR:	<0.05%.
S/N RATIO:	Video: 77dB, Audio: 87dB.
CONTROLS:	Video level: (-1.2dB to +6dB), EQ. (0dB to +8.1dB); audio level: (0dB to +6dB); balanced/stereo selector switch and audio control enable switch.
COUPLING:	Video: DC/AC; Audio: AC (input), DC (output).
AUDIO THD + NOISE:	0.023%.
AUDIO 2nd HARMONIC:	0.001%.
POWER SOURCE:	230V AC, 50/60Hz, (115V USA), 4.7VA.
DIMENSIONS:	19" x 7" x 1U W, D, H, rack mountable.
WEIGHT:	2.1kg (4.7lbs) approx.
ACCESSORIES:	Power cord.

