

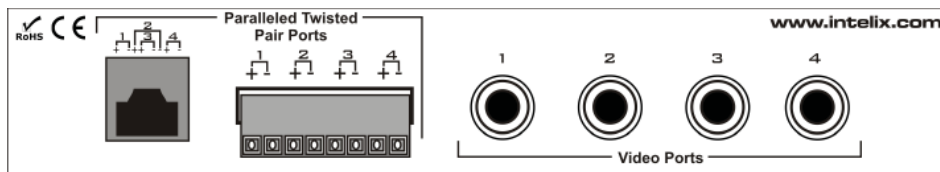
The Intelix S-BB4 four channel breakout box is a cost-effective, versatile tool for composite video distribution over twisted pair cable. The unit consolidates four video signals onto a single twisted pair cable and then distributes them at a remote location. In addition, the S-BB4 also features local tap outputs, providing individual video breakout connections. When used with compatible Intelix baluns, the S-BB4 sends or receives video from remote video equipment, such as cameras, monitors, DVRs, video sequencers, multiplexers, switchers, and servers.

The S-BB4 features a wave filter and anti-static design, provides transient protection, conforms to IEC 61000-4-2:1995 standards, and supports “up-the-coax” PTZ control signals. **When signal quality matters, choose Intelix.**

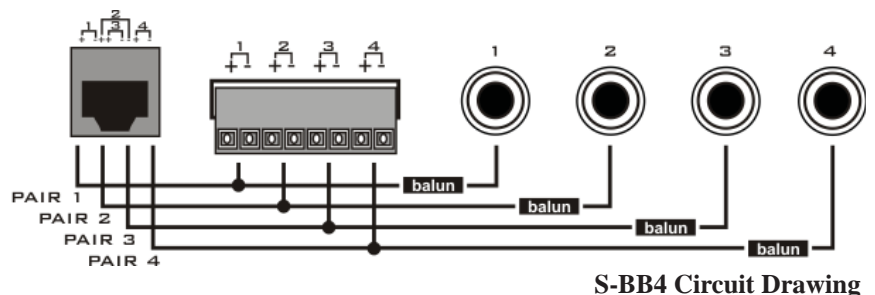
Technical Specifications

Maximum Distance*	Active video: 1,850 feet Passive video: 1,000 feet Control: 1,000 feet	Clamping Voltage	8V
Maximum Input	1.1 Vp-p	Compatible Intelix Baluns	S-V1ST S-V16AR S-V1P-R S-V1P-S S-V1CP
Video Signal	1 Vp-p, 75 Ohms	Interference Rejection	Yes
Bandwidth	DC to 8 MHz	Compatible Cable	Cat 5, Cat 5e, Cat 6, Cat 7
Impedance	75 ohms	Connectors	(1) RJ45 (4) terminal strip (4) female BNC
Insertion Loss	Less than 2 dB over the frequency range	Temperature	Operating: 32 to 131 F (0 to 55 C) Storage: -4 to 185 F (-20 to 85 C) Humidity: up to 95%
Return Loss	Greater than 15 dB over the frequency range	Enclosure	Shielded Metal
Common Mode Rejection	Greater than 40 dB over the frequency range	Dimensions	7.13” x 3.25” x 1.25”
Video Input Protection	2KV (common mode) 10/700 μs IEC6100-4-5/1955(GB/T) 1726,5-1999	Compliance	FCC, CE, RoHS
Video Output Protection	2KV (common mode) 10/700 μs IEC6100-4-5/1955(GB/T) 1726,5-1999	Ordering Information	<i>S-BB4</i> : one breakout box and rack tray mounting hardware
Mean Time Before Failure	Greater than 50,000 hours	Warranty	Two years

*Distances and picture quality may be affected by cable grade, cable quality, source and destination equipment, RF and electrical interference, and cable patches. Intelix specifications are based on straight-through cabling with standard-grade Cat 5.



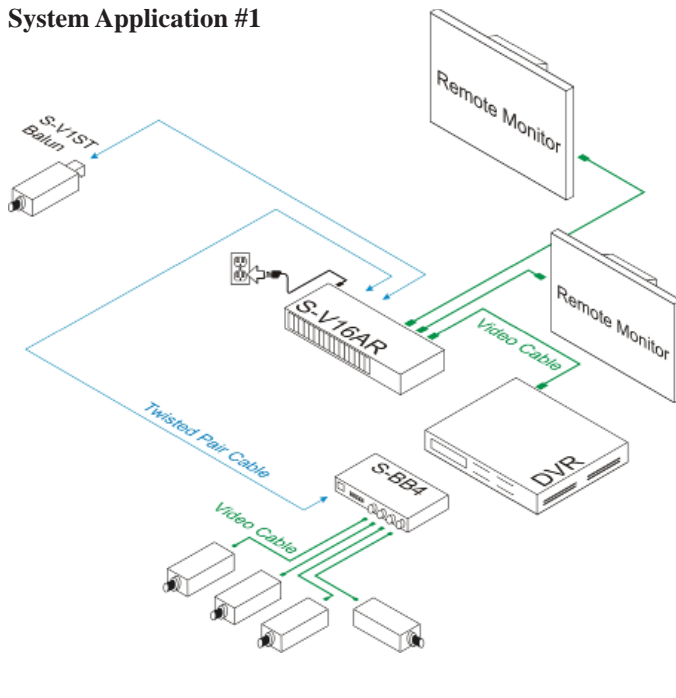
S-BB4 Rear Panel



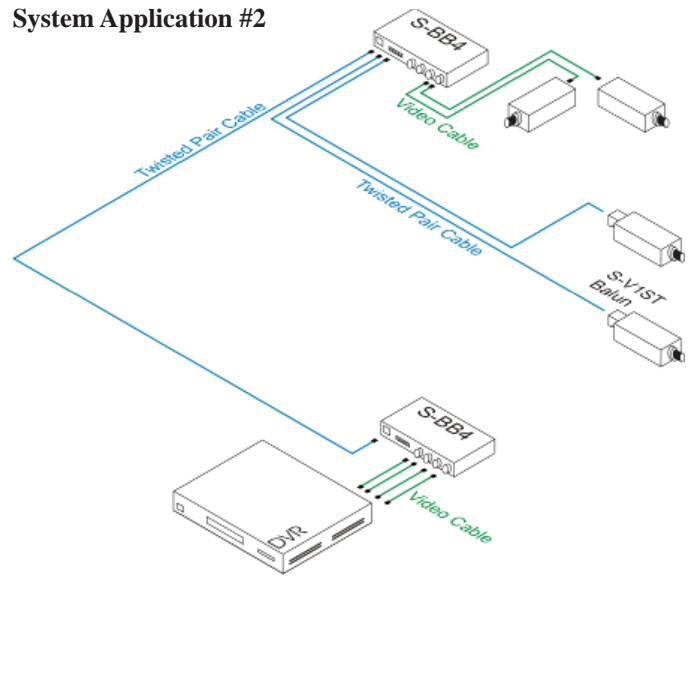
S-BB4 Circuit Drawing



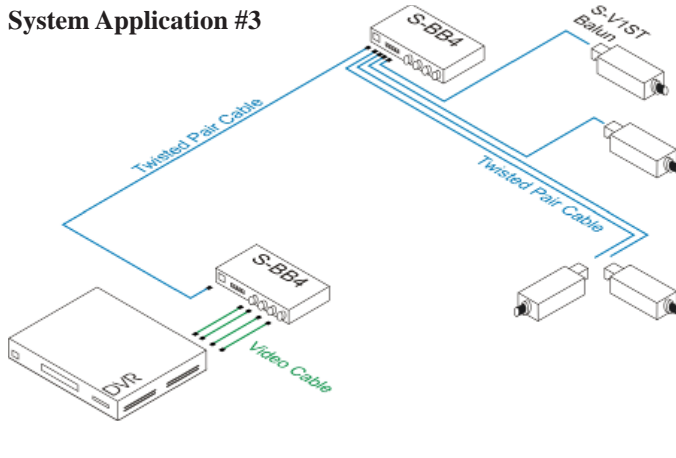
System Application #1



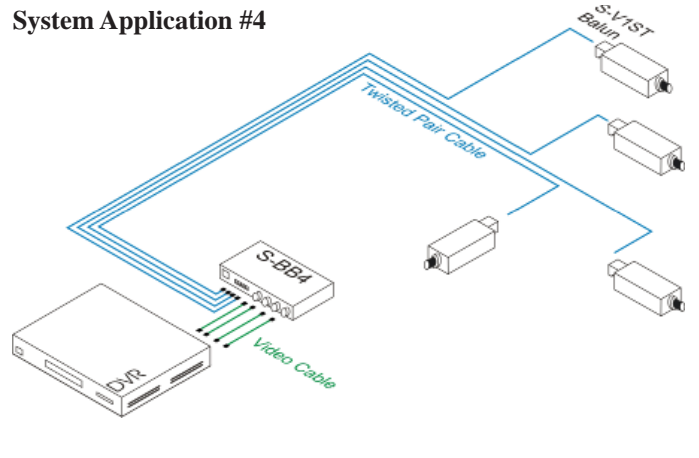
System Application #2



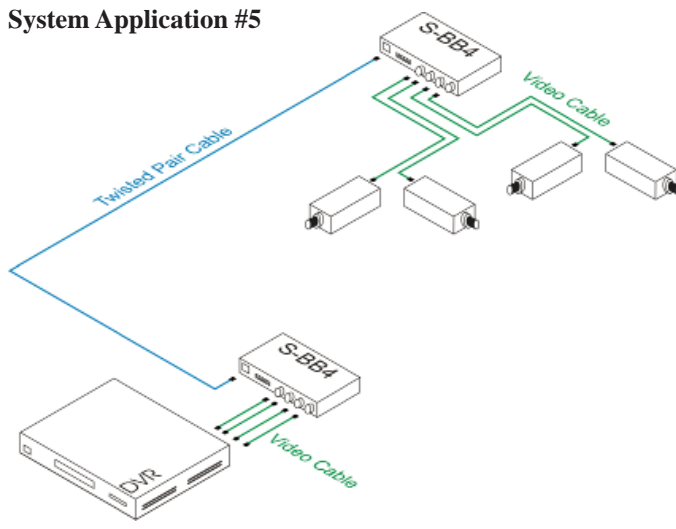
System Application #3



System Application #4



System Application #5



System Application #6

