

MARINE VALVES AND FITTINGS

Bronze Valve with Center Drain

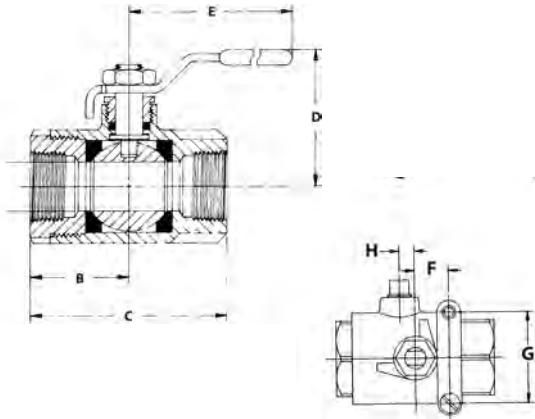
78-600/900 SERIES



Center tap drain allows winterization of the valve. Bonding screw allows valve to be connected to the vessel's bonding system.

FEATURES:

- Bronze body
- Chromium plated brass ball
- RPTFE seats and stuffing box ring
- Blow-out-proof stem design
- Stainless steel lever and nut
- Mounting pads
- Tapered pipe threads



Part Number	NPT Size	Dimensions (in.)								WT/100
		A	B	C	D	E	F	G	H	
78-664-01	3/4"	0.68	1.50	3.00	2.12	4.87	0.87	1.37	0.17	153
78-665-01	1"	0.87	1.68	3.37	2.25	4.87	0.87	1.37	0.21	186
78-666-01	1 1/4"	1.00	2.00	4.00	2.62	5.50	0.93	1.50	0.28	339
78-667-01	1 1/2"	1.25	2.18	4.37	3.05	8.00	0.93	1.50	0.40	468
78-962-01	2"	1.50	2.34	4.69	3.24	8.00	0.93	1.50	0.45	572

Shut-Off Valve

77-100-10 SERIES



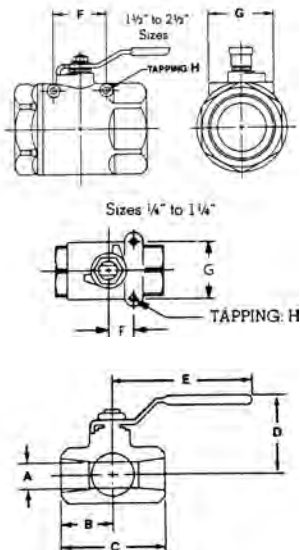
The bronze full port Apollo® with mounting pads for easy, secure installation and quick, convenient bonding. Use in any valve application where full flow is required.

FEATURES:

- Bronze Body
- Chromium Plated Brass Ball
- RPTFE Seats And Stuffing Box Ring
- Blow-Out-Proof Stem Design
- Stainless Steel Lever And Nut

OPTIONS:

- 316 stainless steel ball and stem



Part Number	NPT Size	Dimensions (in.)								WT/100
		A	B	C	D	E	F	G	H	
77-101-10	1/4"	0.43	1.12	2.25	1.81	3.87	0.50	1.12	10-24NC	79
77-102-10	3/8"	0.50	1.12	2.25	1.81	3.87	0.50	1.12	10-24NC	75
77-103-10	1/2"	0.50	1.12	2.25	1.81	3.87	0.50	1.12	10-24NC	69
77-104-10	3/4"	0.81	1.56	3.12	2.12	4.87	0.87	1.37	10-24NC	183
77-105-10	1"	1.00	1.81	3.62	2.62	5.50	0.93	1.50	1/4-20NC	332
77-106-10	1 1/4"	1.25	2.12	4.25	2.87	5.50	0.93	1.50	1/4-20NC	505
77-107-10	1 1/2"	1.50	2.37	4.75	3.34	8.00	2.08	3.06	5/16-24NF	671
77-108-10	2"	2.00	2.65	5.37	3.71	8.00	2.41	3.52	5/16-24NF	1175
77-109-10	2 1/2"	2.50	3.25	6.50	4.12	8.00	2.75	3.37	1/4-20NC	1725