



B72 BLUELIFT

The BLUELIFT Series

Back in blue alongside the ReachMaster brand! Meet our new line of aerial lifts from the well-renowned Italian manufacturer Bluelift s.r.l., now exclusively distributed in the US, Canada and Mexico by SKAKO Lift, Inc. Innovation, quality, superior design and above all safety are trademarks of Bluelift s.r.l.. With working heights from 39 to 72 feet, in and outdoor use and access through a single or double door, the BLUELIFT series appeals to a broad range of applications: Rental industry (residential as well as commercial), window cleaners, building maintenance, tree care industry and HVAC operators to mention a few.

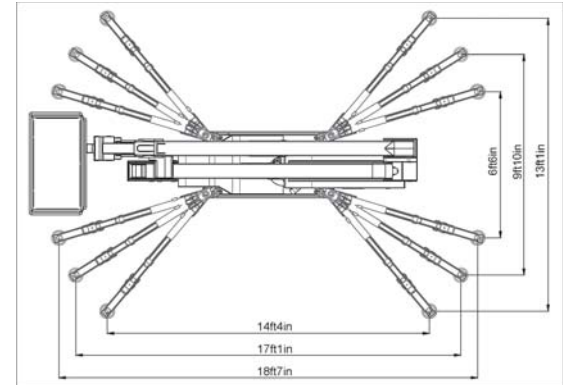
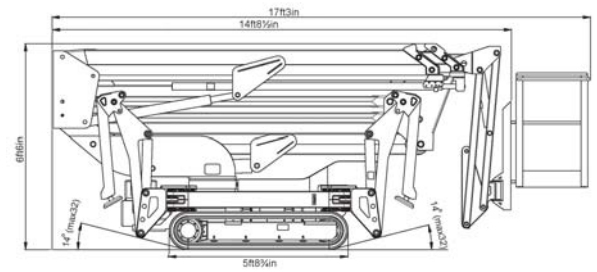
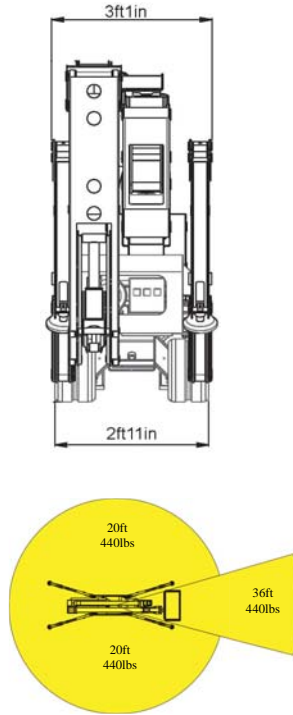
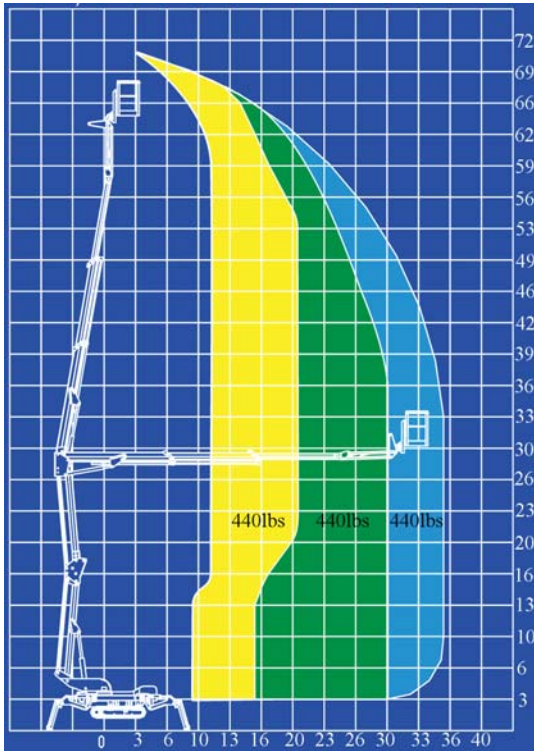
- Available in 4 models from 39ft - 72ft
- Pass through a single or double door opening
- Automatic outrigger setting
- Full workheight with 440lbs in the basket
- Remote and wireless control
- 110V to the basket
- Set up on uneven surfaces
- Detachable basket
- FMS (Function Memory System)
- Automatic turret center stop

Model

B72

Working height	72ft
Basket height	66ft
Max outreach	36ft (max outrigger)
Basket load	440lbs
Basket dims	4ft3 ³ / ₄ in x 2ft3 ¹ / ₂ in
Basket rotation	+/-80°
Turret rotation	360°
Height	6ft6in
Length (w/o basket)	14ft8 ¹ / ₂ in
Length (w/ basket)	17ft3in
Width (w/o basket)	3ft1in
Footprint	Variable
Weight (approx)	6,600lbs
Max pressure, tracks	6.7psi
Max pressure, footplate	71.1psi
Track size (per track)	54in x 9 ¹ / ₂ in
Foot pad size (per pad)	48 ¹ / ₂ sq in
110V drive motor	Standard
Honda gasoline engine	Standard
Hatz diesel engine	Option

We reserve the right to alterations



B72 BLUELIFT

Standard Equipment

- Automatic stability & outreach control
- Computer controlled (can-bus)
- Proportional controls
- Self propelled
- 110V drive motor
- Honda iGX440 15HP engine
- 360° non cont. turret rotation
- Manual pump for emergency lowering
- Width of only 3ft1in
- 2 person basket
- Full work height with 440lbs in basket
- Full outreach with 440lbs in basket
- Space for tools etc in basket
- 110V to the basket
- Adjustable tracks
- 160° (+/-80°) basket rotation
- Wireless control
- FMS (Function Memory System)
- Automatic turret center stop

We reserve the right to alterations

Optional Equipment

- Non marking tracks
- Air/water to the basket
- Hatz diesel engine

Additional Specifications

Boom angle	0°/ +75°
Oil tank capacity	8gal
Max windspeed	28mph
Operating speed	0.9mph
Travel speed	0.9mph
Drive gradability	15°/28%
Set-up gradability	10°/18%
Outrigger set up (outside measurement)	
	15ft2in * 13ft9in
	17ft9in * 10ft6in
	19ft3in * 7ft2in



SKAKO
LIFT

Skako Lift, Inc
1416D Stonehollow Dr.
Kingwood, TX 77339
TF: 1-866-358-7088
Tel: 281-358-7088
Fax: 281-359-3500
www.skakoliftusa.com