



CLEANOUTS

FIG. 4436, 4437 CAULK FERRULE CLEANOUT TAPER THREAD PLUG W/ROUND FRAME AND COVER



FUNCTION: Used to cover cleanout plugs concealed in walls. Round design eliminates necessity for lining up with adjacent floors, ceilings, moldings, etc. The anchoring lugs provide easy means for securing the frame to the wall construction. The face-of-wall cover (4436) is for tile, masonry, or dry wall construction and is usually installed on an opening provided in the finished wall. The flush-with-wall cover (4437) is for plaster or wet wall construction and is installed during wall construction.

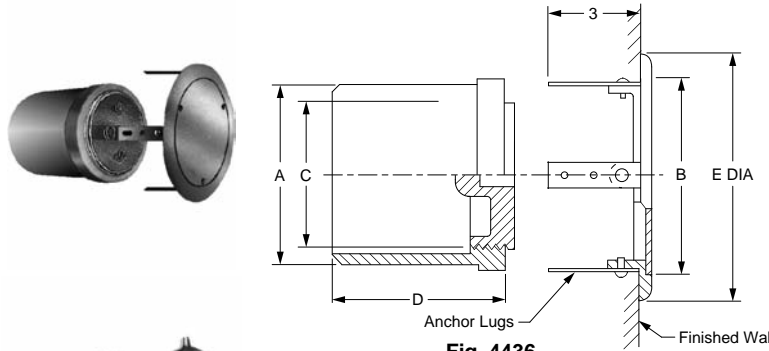


Fig. 4436

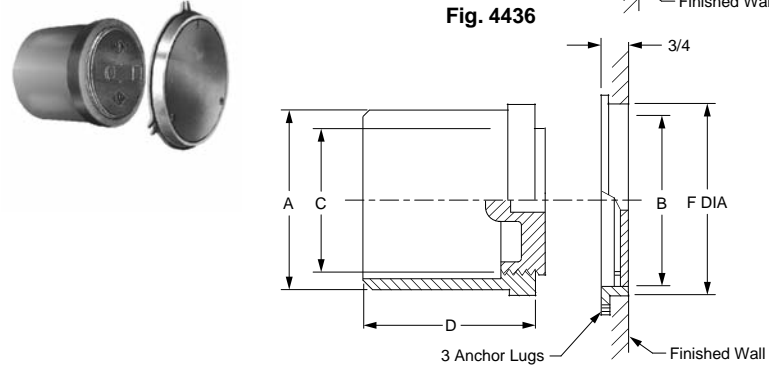


Fig. 4437

OPTIONS:

- BB Cast Bronze Ferrule and Plug **POA**
- TH Plug Tapped 1/4-20 w/T Handle for Plug **78.00**
- U Vandal Proof Screw **58.00**
- Solid Scoriated Cover f/Flush Type Cover **See Fig 4440**

ADD

		COVER MATERIAL	A - PIPE SIZE:	Δ02"	Δ03"	Δ04"	05"	06"	*08"
			B - COVER SIZE DIA:	4"	5 1/2"	6"	6"	8"	10"
4436	Face of Wall	†Chrome Plated (-CP)		298.00	334.00	367.00	428.00	664.00	1,139.00
		Nickel Bronze (-NB)		270.00	306.00	339.00	400.00	628.00	1,011.00
		Polished Bronze (-PB)		250.00	286.00	319.00	380.00	600.00	945.00
		COVER MATERIAL	A - PIPE SIZE:	Δ02"	Δ03"	Δ04"	05"	06"	*08"
			B - COVER SIZE DIA:	4"	5 1/2"	6"	6"	8"	10"
4437	Flush with Wall	†Chrome Plated (-CP)		298.00	334.00	367.00	428.00	664.00	1,139.00
		Nickel Bronze (-NB)		270.00	306.00	339.00	400.00	628.00	1,011.00
		Polished Bronze (-PB)		250.00	286.00	319.00	380.00	600.00	945.00
			C - SIZE	1 1/2"	2 1/2"	3 1/2"	4 1/2"	5 1/2"	7 1/2"
			D	3 1/2"	3 3/4"	4 1/4"	4 1/4"	4 1/4"	4 1/2"
			E DIA	6"	7"	7"	7"	10"	-
			F DIA	4 1/2"	5 3/4"	6 1/2"	6 1/2"	8 1/2"	10 1/2"
			APPROX WT. LBS.	8	12	17	19	20	25

*10" Face of Wall Cover Not Available with 4436

ΔSized for Service Weight and/or NO-HUB

REGULARLY FURNISHED: Duco Cast Iron Caulk Ferrule with Cast Bronze Taper Thread Plug. Chrome Plated Bronze Round Frame and Secured Cover. Type of Cover as Indicated by Figure Number Selected.

