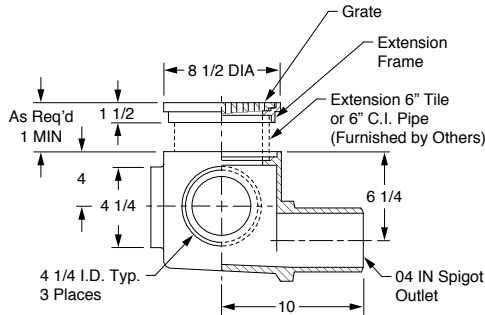




BACKWATER VALVES

FIG. 7097 DRAIN TILE SUMP WITH 4" TILE INLET & SPIGOT OUTLET

FUNCTION: Provides a sump with multiple inlets into which the foundation drain tile lines are connected.



OPTIONS:

	ADD
-G Galvanized CI	428.00
-NB Nickel Bronze Top.....	593.00
-PB Polished Bronze Top.....	459.00
-SC Solid CI Cover	150.00

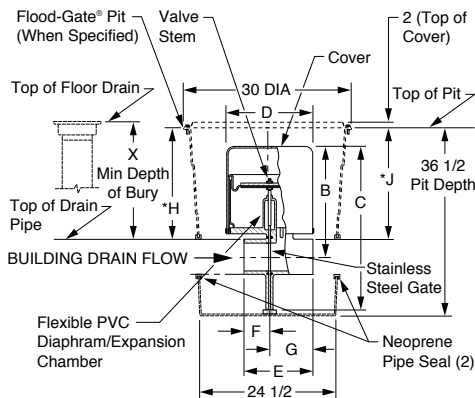
A OUTLET SIZE	FREE AREA SQ. IN.	†DUCO CI	APPROX. WEIGHT LBS
04"	14.25"	595.00	55

REGULARLY FURNISHED:

Duco Cast Iron Body and Extension Frame with Cast Iron Slotted Grate.

FIG. 7140 FLOOD-GATE® IN-LINE AUTOMATIC BACKWATER VALVE

FUNCTION: Functions as a drainage control valve providing "closure" protection during emergency storm conditions or when building is completely shut down. The FLOOD-GATE® does not have to be activated as no electronics are required for valve operation. The valve is completely automatic both closing and resetting. Once closed it prevents any leakage beyond the gate. Applications include all commercial, institutional, residential and industrial installations including basements and elevator pits.



OPTIONS:

FGA Complete Alarm System
FGP Poly Pit and Lid, with Hardware
FGS Poly Pit with Steel Lid with Hardware
FGSL Steel Pit Lid Only

U.S. Patent No. 5,538,032
Other U.S. and foreign patents pending

Conforms to ASME A112.14.1-2003
IAPMO Listed, File No. 3758

For Pricing information on this Product Series contact your local Jay R. Smith Mfg. Co. representative.

A DIA NO-HUB (-Y) IN/OUT SIZE	B CENTERLINE TO TOP	C OVERALL HEIGHT	D DIA WIDTH	E LENGTH	F INLET LENGTH	G OUTLET LENGTH	*H	*J	X MIN BURY DEPTH	BASE WIDTH
04"	15"	22 15/16"	12 5/8"	6 5/8"	2 3/8"	4 1/4"	26 1/4"	26 3/4"	9"	7 1/2"
06"	20 3/8"	31 1/4"	13 1/4"	8 3/16"	3 3/16"	5"	22 1/4"	22 3/4"	14"	9 1/2"

REGULARLY FURNISHED: Duco Coated Cast Iron Body Complete with Stainless Steel Gate and Flexible PVC Diaphragm/Expansion Chamber.

*Dimension can be decreased by up to 10" for the 4" size and 3" for the 6" size by cutting the pit and telescoping the 2 sections to meet required depth. See instructions supplied with pit.

BACKWATER VALVES

