



CLEANOUTS

FIG. 4430, 4431 CAULK FERRULE CLEANOUT LEAD SEAL PLUG W/SQUARE FRAME AND COVER



FUNCTION: Used in hub openings in drainage piping where a cleanout is required. The straight thread lead seal plug permits quick and easy removal. Grooves on outside of ferrule prevent turning. Type of cover as indicated by figure number selected. Both covers are used to cover cleanouts concealed in walls. The square design is particularly adaptable to adjacent walls, floors, ceilings, etc., that are finished with material in straight line patterns. The anchoring lugs provide easy means for securing the frame to the wall construction. The face-of-wall (4430) cover is for tile, masonry, or dry wall construction, and is usually installed on an opening provided in the finished wall. The flush-with-wall (4431) cover is for plaster or wet wall construction and is installed during the wall construction.

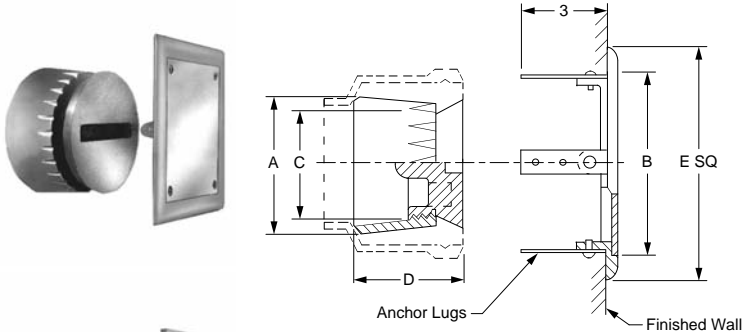


Fig. 4430

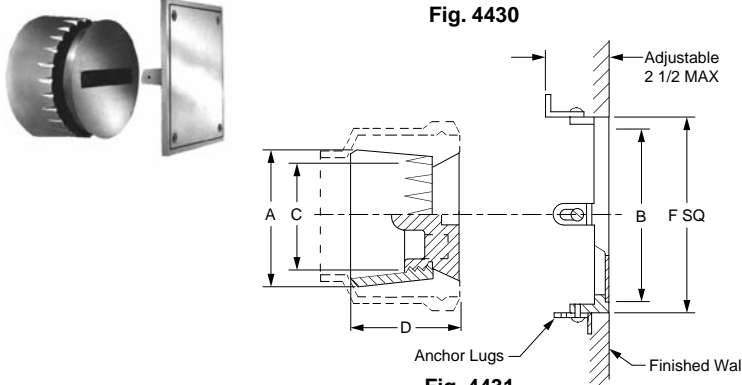


Fig. 4431

OPTIONS:

- BB Cast Bronze Ferrule and PlugPOA
- BP Cast Bronze Lead Seal Plug
- 02, 03, 04, 05"117.00
- 06, 08"373.00
- TH Plug Tapped 1/4-20 w/T Handle for Plug78.00
- U Vandal Proof Screw58.00
- Solid Scoriated Cover f/Flush Type CoverSee Fig 4439

ADD

		A - PIPE SIZE:	02"	03"	04"	05"	06"	08"	*	*	
4430	Face of Wall	COVER MATERIAL	B - COVER SIZE SQ:	6 x 6"	6 x 6"	6 x 6"	8 x 8"	8 x 8"	10 x 10"	12 x 12"	15 x 15"
		†Chrome Plated (-CP)		460.00	496.00	530.00	778.00	848.00	1,117.00		
		Nickel Bronze (-NB)		424.00	460.00	494.00	726.00	796.00	1,056.00		
		Polished Bronze (-PB)		374.00	410.00	444.00	658.00	728.00	985.00		
4431	Flush with Wall	COVER MATERIAL	A - PIPE SIZE:	02"	03"	04"	05"	06"	08"	*	*
			B - COVER SIZE SQ:	6 x 6"	6 x 6"	6 x 6"	8 x 8"	8 x 8"	10 x 10"	12 x 12"	15 x 15"
		†Chrome Plated (-CP)		460.00	496.00	530.00	778.00	848.00	1,117.00		
		Nickel Bronze (-NB)		424.00	460.00	494.00	726.00	796.00	1,056.00		
	Polished Bronze (-PB)		374.00	410.00	444.00	658.00	728.00	985.00			
		C - SIZE	1 1/2"	2 1/2"	3 1/2"	4 1/2"	5 1/2"	7 1/2"	-	-	
		D	2 1/2"	2 3/4"	3"	3"	3"	3 1/2"	-	-	
		E SQ	7 3/4"	7 3/4"	7 3/4"	9 3/4"	9 3/4"	11 3/4"	13 3/4"	16 3/4"	
		F SQ	6 1/2"	6 1/2"	6 1/2"	8 1/2"	8 1/2"	10 1/2"	12 1/2"	15 1/2"	
		APPROX WT. LBS.	5	7	10	12	13	20			

*Covers may be used with any of the above plugs

REGULARLY FURNISHED: Duco Cast Iron Caulk Ferrule with Cast Iron Lead Seal Plug, with Chrome Plated Bronze Square Frame and Secured Cover. Type of Cover as Indicated by Figure Number Selected.

CLEANOUTS

