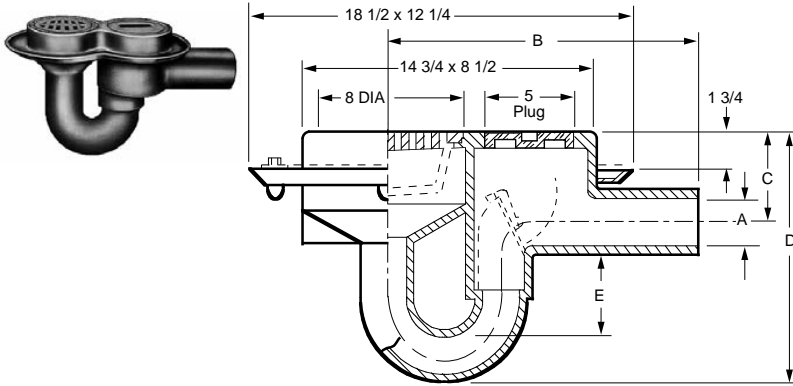




FLOOR DRAINS

FIG. 2515 INTEGRAL TRAP AND FLOOR-LEVEL CLEANOUT DRAIN

FUNCTION: Used in moderate traffic areas where deep trap seal, floor level cleanout and shallow side outlet rough-in are required where limited space is available. Drain includes these features in one compact casting.



A OUTLET SIZE	TOP SIZE	FREE AREA SQ IN	B	C	D	E SEAL	†DUCO CI	DUCO CI PB TOP	DUCO CI NB TOP	APPROX. WEIGHT LBS
02"	15 x 8"	14.24	16"	4 1/4"	11 3/4"	4"	763.00	1,189.00	1,228.00	40
03"	15 x 8"	14.24	15 3/4"	4"	13 1/2"	4 1/2"	1,202.00	1,628.00	1,667.00	52
04"	15 x 8"	14.24	16"	4 1/2"	15 3/4"	4 3/4"	1,261.00	1,687.00	1,726.00	72

REGULARLY FURNISHED: Duco Cast Iron Body and Grate with Bronze Cleanout Plug.

OUTLET VARIATIONS (Specify type of outlet and pipe size in inches.)

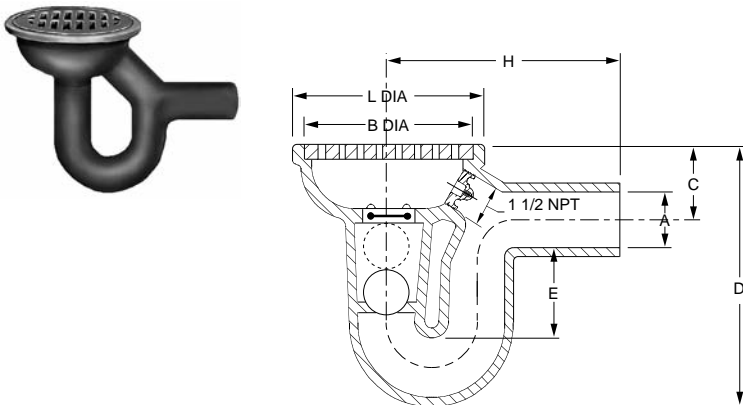
Outlet Type	Outlet Designation Outlet Type/Pipe Size	ADD
Spigot.....	S02, S03, S04	N/C

OPTIONS:	ADD
-B Safe Set Sediment Bucket	75.00
-C Flashing Clamp	138.00
-D Dome Grate, CI	50.00
-DNB Dome Grate, add to CI	689.00
-DPB Dome Grate, add to CI	602.00
-H Hinged Grate	156.00
Hub Adaptor f/Aux Inlet	See 2645
-G Galvanized CI	457.00
-MBG Ductile Iron Bucket & Grate	304.00
-N2 2" NPT Aux Inlet, ea	209.00
2" Hub or Spigot Inlet, ea	286.00
-N15 1 1/2" NPT Aux Inlet, ea	209.00
-P Trap Primer Conn	99.00
-U Vandal Proof Grate	89.00
-V Backwater Valve, 02"	364.00
03"	402.00
04"	438.00

FLOOR DRAINS

FIG. 2530 BALL FLOAT BACKWATER VALVE

FUNCTION: Light duty general purpose trap drain with backwater valve protection and integral cleanout. Drain has shallow roughing side spigot outlet for use in lower areas where rough-in height is limited.



OUTLET VARIATIONS (Specify type of outlet and pipe size in inches.)

Outlet Type	Outlet Designation Outlet Type/Pipe Size	ADD
Spigot.....	S02, S03, S04	N/C

OPTIONS:	ADD
-G Galvanized CI	295.00
-SEC Secured Grate	89.00
-U Vandal Proof Grate	89.00
-LBWV Less Backwater Valve	DEDUCT
02"	58.00
03, 04"	117.00

A OUTLET SIZE	TOP SIZE	FREE AREA SQ IN	B DIA	C	D	E SEAL	H	L DIA	†DUCO CI	DUCO CI PB TOP	DUCO CI NB TOP	APPROX. WEIGHT LBS
02"	8 1/4"	12	7 1/2"	3 1/4"	11"	4 1/2"	10 1/2"	8 1/4"	513.00	743.00	763.00	40
03"	10"	19.5	9 1/4"	4"	13 1/4"	4 1/2"	12"	10"	706.00	936.00	956.00	52
04"	12 1/2"	28.5	11 1/2"	4 1/2"	15"	4	15 1/4"	12 1/2"	991.00	1,525.00	1,582.00	72

REGULARLY FURNISHED: Duco Cast Iron Body and Bar Grate with Ball Float Backwater Valve and Bronze Cleanout Plug.

