

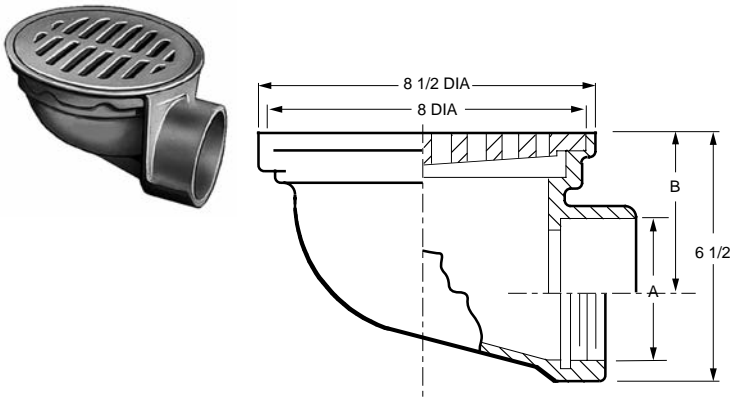


FLOOR DRAINS



FIG. 2275 SMALL AREA MEDIUM DUTY FLOOR DRAIN WITH 8 1/2" ROUND TOP W/BAR GRATE

FUNCTION: Used in areas with moderate traffic and where waste water contains no sediment or debris and construction requires a shallow body drain for-on grade applications.



A OUTLET SIZE	TOP SIZE	FREE AREA SQ IN	B	†DUCO CI	DUCO CI PB TOP	DUCO CI NB TOP	APPROX. WEIGHT LBS
02"	8 1/2"	14.25	4 3/4"	460.00	726.00	789.00	20
03"	8 1/2"	14.25	4 1/4"	460.00	726.00	789.00	24
04"	8 1/2"	14.25	3 3/4"	460.00	726.00	789.00	24

REGULARLY FURNISHED: Duco Cast Iron Body and Loose Set Bar Grate.

OUTLET VARIATIONS (Specify type of outlet and pipe size in inches.)

Outlet Type	Outlet Designation Outlet Type/Pipe Size	ADD
Inside Caulk	C02, C03, C04	N/C
Threaded	T02, T03, T04	N/C
No-Hub	Y02, Y03, Y04	See Fig 2646Y

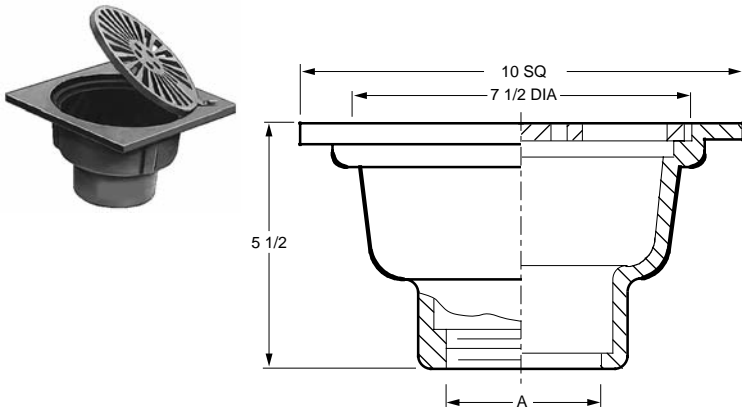
OPTIONS:

Options	ADD
-AB Sediment Bucket, Alum	138.00
-B Sediment Bucket	84.00
-D Dome Grate, CI	50.00
-DNB Dome Grate, add to CI	554.00
-DPB Dome Grate, add to CI	441.00
-G Galvanized CI	259.00
-H Hinged Grate	156.00
-M Ductile Iron Grate	128.00
-P Trap Primer Conn	99.00
-S Square Top, CI	196.00
-SNB Square Top, add to CI	571.00
-SPB Square Top, add to CI	472.00
-TG Tractor Grate (Specify 2276)	84.00
-U Vandal Proof Grate	89.00

FLOOR DRAINS

FIG. 2280 LIGHT DUTY FLOOR DRAIN WITH HINGED GRATE

FUNCTION: Used in light traffic in on-grade areas where the hinged grate eliminates loss of grate.



A OUTLET SIZE	TOP SIZE	FREE AREA SQ IN	†DUCO CI	DUCO CI PB TOP	DUCO CI NB TOP	APPROX. WEIGHT LBS
02"	10" SQ	16	213.00	836.00	858.00	20
03"	10" SQ	16	281.00	904.00	926.00	24
04"	10" SQ	16	483.00	1,106.00	1,128.00	29

REGULARLY FURNISHED: Duco Cast Iron Body and Slotted Hinged Grate.

OUTLET VARIATIONS (Specify type of outlet and pipe size in inches.)

Outlet Type	Outlet Designation Outlet Type/Pipe Size	ADD
Inside Caulk	C02, C03, C04	N/C
Threaded	T02, T03, T04	47.00
No-Hub	Y02, Y03, Y04	See Fig 2646Y

OPTIONS:

Options	ADD
-AB Sediment Bucket, Alum	138.00
-B Sediment Bucket, CI	84.00
-BT Bell Trap	64.00
-D Hinged Dome Grate	120.00
-G Galvanized CI	259.00
-U Vandal Proof Grate	89.00

