



CLEANOUTS

FIG. 4432, 4433 CAULK FERRULE CLEANOUT LEAD SEAL PLUG W/ROUND FRAME AND COVER



FUNCTION: Used to cover cleanout plugs concealed in walls. Round design eliminates necessity for lining up with adjacent floors, ceilings, moldings, etc. The anchoring lugs provide easy means for securing the frame to the wall construction. The face-of-wall cover (4432) is for tile, masonry, or dry wall construction and is usually installed on an opening provided in the finished wall. The flush-with-wall cover (4433) is for plaster or wet wall construction and is installed during wall construction.

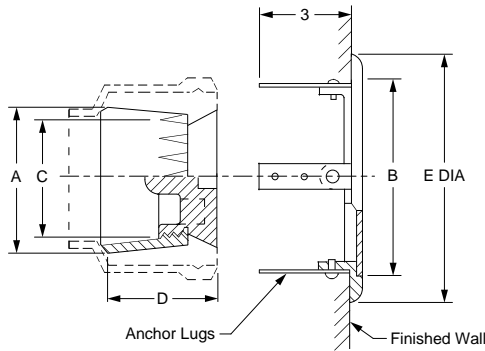
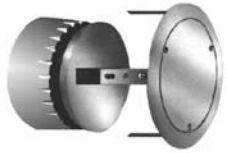


Fig. 4432

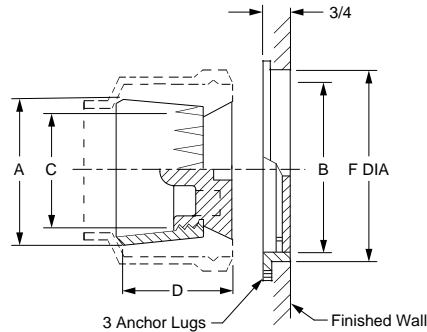


Fig. 4433

OPTIONS:

-BB	Cast Bronze Ferrule and Plug	ADD
-BP	Cast Bronze Lead Seal Plug	POA
	02, 03, 04, 05"	117.00
	06, 08"	373.00
-TH	Plug Tapped 1/4-20 w/T Handle for Plug.....	78.00
-U	Vandal Proof Screw	58.00
	Solid Scoriated Cover f/Flush Type Cover	See Fig 4438

		COVER MATERIAL	A - PIPE SIZE:	02"	03"	04"	05"	06"	*08"
			B - COVER SIZE DIA	4"	5 1/2"	6"	6"	8"	10"
4432	Face of Wall	†Chrome Plated (-CP)		298.00	334.00	367.00	428.00	664.00	1,139.00
		Nickel Bronze (-NB)		270.00	306.00	339.00	400.00	628.00	1,011.00
		Polished Bronze (-PB)		250.00	286.00	319.00	380.00	600.00	945.00
		COVER MATERIAL	A - PIPE SIZE:	02"	03"	04"	05"	06"	*08"
			B - COVER SIZE DIA	4"	5 1/2"	6"	6"	8"	10"
4433	Flush with Wall	†Chrome Plated (-CP)		298.00	334.00	367.00	428.00	664.00	1,139.00
		Nickel Bronze (-NB)		270.00	306.00	339.00	400.00	628.00	1,011.00
		Polished Bronze (-PB)		250.00	286.00	319.00	380.00	600.00	945.00
			C - SIZE	1 1/2"	2 1/2"	3 1/2"	4 1/2"	5 1/2"	7 1/2"
			D	2 1/2"	2 3/4"	3"	3"	3"	3 1/2"
			E DIA	6"	7"	7"	7"	10"	-
			F DIA	4 1/2"	5 3/4"	6 1/2"	6 1/2"	8 1/2"	10 1/2"
			APPROX WT. LBS.	8	12	17	19	20	26

*10" Face of Wall Cover Not Available with 4432

REGULARLY FURNISHED: Duco Cast Iron Caulk Ferrule with Cast Iron Lead Seal Plug. Chrome Plated Bronze Round Frame and Secured Cover. Type of Cover as Indicated by Figure Number Selected.

