

# SANUS Full-Motion Mounts

WHICH TYPE OF MOUNT IS RIGHT FOR YOU?



## Full-Motion

Full-motion mounts extend, retract, tilt and swivel in all directions. These flexible mounts are often the best choice for most households due to their versatility. A full-motion mount is recommended when multiple viewing positions are desired.



Model VXF220-B1 shown

# SANUS Full-Motion Mounts

**NEW**

## MODEL VLF320

Super Slim Full-Motion Mount for 37" – 84" TVs

### TV SIZE

37" – 84"

### WEIGHT CAPACITY

125 lbs

56.7 kg

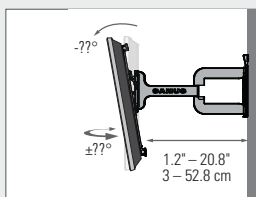
### DIMENSIONS (w x d x h)

32.2" x 1.2" – 20.8" x 20.3"

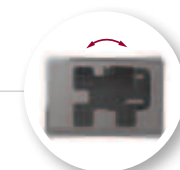
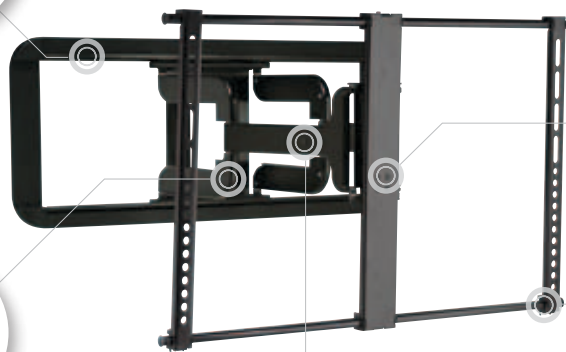
81.8 x 3 – 52.8 x 51.6 cm

### FINISH

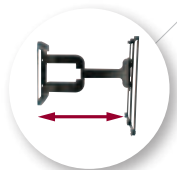
Black – VLF320-B1



Super Slim full-motion mount sits just 1.23" from wall to complement the sleek look of ultra-thin TVs



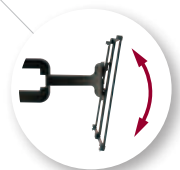
Post-install leveling adjustments ensure TV is perfectly positioned



Extends 20" from wall



Integrated cable management system conceals cables within extension arm



Easily tilt TV with the touch of a finger

### MOUNTING PATTERN

75x75

100x100

200x100

200x200

300x200

300x300

400x200

400x300

400x400

600x400

800x400

Universal

**NEW**

## MODEL VMF322

Super Slim Full-Motion Mount for 26" – 47" TVs

### TV SIZE

26" – 47"

### WEIGHT CAPACITY

60 lbs

27.2 kg

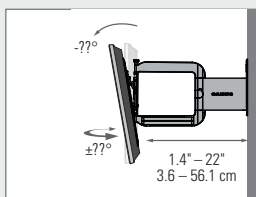
### DIMENSIONS (w x d x h)

22.2" x 1.4" – 22.1" x 17"

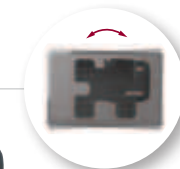
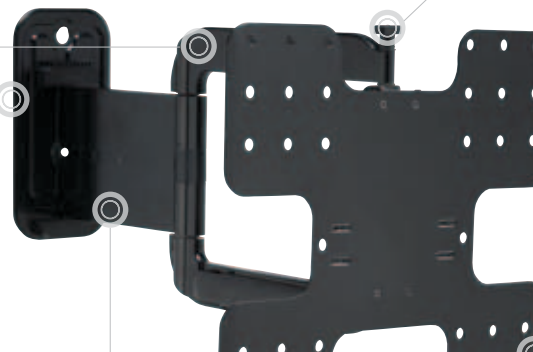
56.4 x 3.6 – 56.1 x 48.3 cm

### FINISH

Black – VMF320-B1



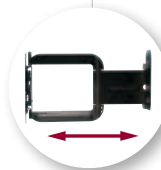
Integrated cable management system conceals cables within extension arm



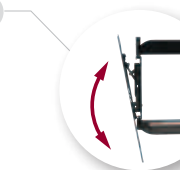
Post-install leveling adjustments ensure TV is perfectly positioned



Super Slim full-motion mount sits just 1.4" from wall to complement the sleek look of ultra-thin TVs



Extends 22" from wall



Easily tilt TV with the touch of a finger

### MOUNTING PATTERN

75x75

100x100

200x100

200x200

300x200

300x300

400x200

400x300

400x400

600x400

800x400

Universal

### FINISH OPTION

Black