

Rail Kits

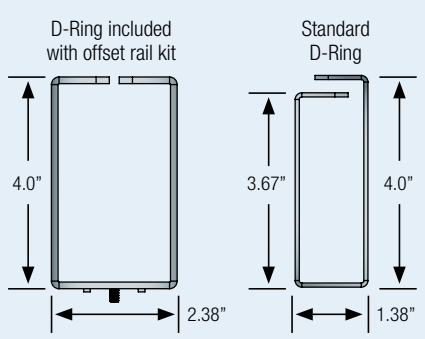


shown with offset rail kit to allow cable management to one side

Part #	Description
CWR-RR12	rear rail kit, 12 space, centered for CWR Series
CWR-RR18	rear rail kit, 18 space, centered for CWR Series
CWR-RR26	rear rail kit, 26 space, centered for CWR Series
CWR-OFRR12*	12 space off-set rail kit w/ D-Rings for CWR Series
CWR-OFRR18*	18 space off-set rail kit w/ D-Rings for CWR Series
CWR-OFRR26*	26 space off-set rail kit w/ D-Rings for CWR Series

*Allows 19" EIA mounting width to be shifted to the left or right of the 26" width CWR enclosure to allow for large cable bundles on one side

D-Ring Managers



CWR Racks and offset rail kits come with D-Ring managers for additional Cable management

12 space = 4 D-Rings
18 space = 6 D-Rings
26 space = 8 D-Rings

Fan Kits



Part #	Description
CWR-FKIT	fan kit, 2 (95CFM) fans w/ hardware

Fan kit includes 2 fans and displaces 95 CFM of free air

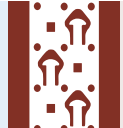
Complete your Rack System with the following options and accessories:



Power Distribution
pgs. 96-117



Thermal Management
pgs. 118-129



Cable Management
pgs. 130-143



Rack Accessories
pgs. 144-169





SWR Series Shallow Wall Rack and SBX Series Wall Mount Cabinet



EIA/TIA Compliant

Spec. #
96-01139
for full
product
info.

ABE

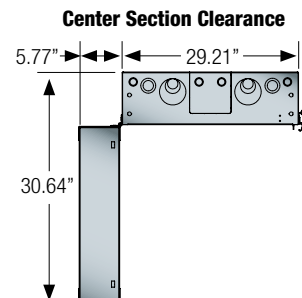
NEW!

SWR Series Shallow Wall Rack

SWR Series shallow sectional wall racks are ideal for wall mounting interconnect panels in stage and performing arts, house of worship, and broadcast applications.

The shallow front section includes adjustable rackrail for mounting 19" connector panels and shallow shelves, while the generous 7" deep backpan features conduit entry LKO's top and bottom. This versatile shallow wall rack does double duty as both a connector panel and a generous pull-box that swings the connector panels out of the way during cable pulling. Hinge on left and right allows for mounting side by side and also allows for mounting of non-hinge side to be close to the wall or corner. Available in two racking heights, accepts universal solid, vented, or plexi front doors (see pg. 34).

- Draw latch can be mounted top and bottom to allow mounting cabinets side-by-side
- GREENGUARD Indoor Air Quality Certified for Children and Schools (the most strict level)



Part #	Racking Height	Overall Height	Useable Depth	Overall Depth	Overall Width	Weight Capacity
SWR-12-12	21" (12 space)	25-1/8"	11-7/8"	12-1/2"	24-7/8"	150 lbs.
SWR-16-12	28" (16 space)	32-1/8"	11-7/8"	12-1/2"	24-7/8"	150 lbs.



SWR-12-12



EIA/TIA Compliant

Spec. #
96-068
for full
product
info.

ABE

SBX Series Wall Mount Cabinet

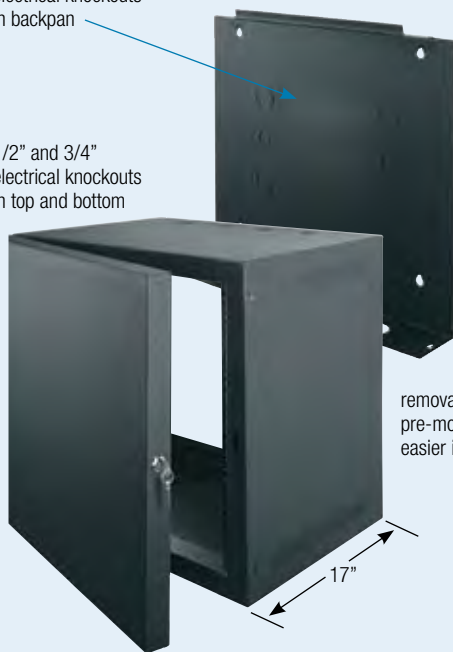
Specify an SBX when seeking an economical solution for wall mounting smaller systems.

- Removable backpan simplifies installation and provides easy access to equipment connections
- Locking front door swings open a full 180° on a virtually indestructible hinge for rugged security and unobtrusive accessibility
- Deep rail-to-door clearance ratio provides flexibility not found in flush-mount door designs
- Standard heavy-gauge, 10-32 threaded rackrail with marked rackspace increments to speed equipment mounting
- Ventilation slots at top & bottom of each side promote passive thermal management
- 1/2" and 3/4" electrical knockouts at top and bottom, and 1" and 1-1/2" also on rear to facilitate cable entry
- GREENGUARD Indoor Air Quality Certified for Children and Schools (the most strict level)

Part #	Racking Height	Useable Depth	Weight Capacity
SBX-7	12-1/4" (7 space)	14-3/4"	75 lbs.
SBX-10	17-1/2" (10 space)	14-3/4"	100 lbs.

laser knockout and electrical knockouts in backpan

1/2" and 3/4" electrical knockouts in top and bottom



removable backpan pre-mounts for easier installation

17"

SBX-10

rack is easily fastened to backpan with included security screws and driver bit

