



VNS2085 - High-Power Public Address Horn Speaker



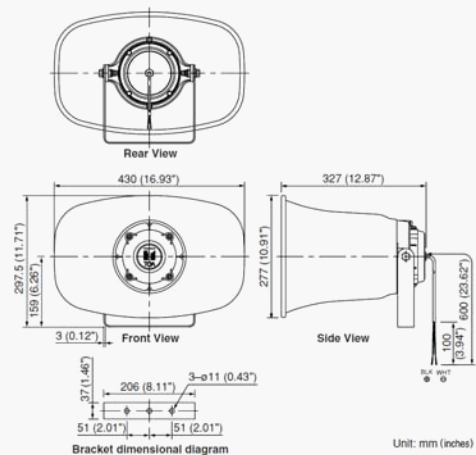
The VNS2085 High-Power Public Address Horn Speaker is designed to provide intelligible voice paging and tone signaling for outdoor bell and public address system applications.

The VNS2085 is controlled by the VNS2200 wireless audio/visual controller. This makes it an ideal solution for applications where a hard-wired speaker is impractical, or when a simple, reliable and cost-effective alternative solution is required when being compared to traditional wired PA systems.

The VNS2085 includes a mounting bracket.

Key Features:

- Weatherproof Design for Indoor and Outdoor Installations
- Up to 50W Continuous Power
- Lightweight, Sealed, Aluminum Enclosure
- Double Re-Entrant Horn with Compression Driver
- Swivel-Mount Bracket
- Speaker Cable can Extend Up to 150' from Controller



Options, Accessories and Complementary Products:

Part Number	Description
VNS2200	Wireless Audio/Visual Controller

Specifications:

Dimensions	16.9" x 10.8" x 14.1" (W x H x D)	Frequency Response	250 Hz - 6 KHz
Weight	7.5 lbs.	Sound Level	109 dB @ 1 meter
Power	50 Watts Continuous, 70 Watts peak	Impedance	16 Ohms
Color	Off-White, Powder Coating	Speaker Cable	16 Gauge, 3' Supplied, Up to 150' Extension
Frame	Aluminum Horn Flare, ABS Resin Reflector	Mounting	Wall or Ceiling, Stainless Steel Swivel Mounting Bracket
Operating Temperature	-4° - 131°F	Limited Warranty	One Year Parts and Labor
Humidity	0% - 95%, Non-Condensing		

*Specifications Are Subject to Change Without Notification