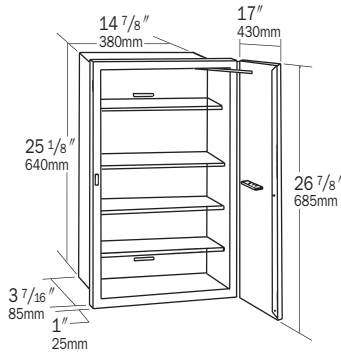


Shower/Tub Accessories



B-398



Unit combines adjustable shelves, mirror, used razor blade slot, and toothbrush holder.

B-398 RECESSED MEDICINE CABINET



Type 304 stainless steel, satin finish. Mirror: No. 1 quality, $\frac{1}{4}$ " (6mm) glass electrolytically copper-plated. 15-year guarantee against silver spoilage. Door has full-length stainless steel piano-hinge, magnetic catch and cable doorstop. Four adjustable stainless steel shelves. Cabinet may be inverted for right- or left-hand door swing. Rough Wall Opening: 15 $\frac{1}{4}$ " W, 25 $\frac{1}{8}$ " H, 3 $\frac{5}{8}$ " min. depth (385 x 650 x 90mm). Av. Mtg. Ht.: 74" (1880mm) to top of unit; Barrier-Free, 66 $\frac{1}{2}$ " (1690mm).

B-299 Surface-Mounted Medicine Cabinet Similar to B-398. Unit 17" W, 26 $\frac{7}{8}$ " H, 5" D (430 x 685 x 130mm).

B-397 RECESSED MEDICINE CABINET



All-steel cabinet with baked white enamel finish. Three adjustable plastic shelves. Mirror: No. 1 quality, $\frac{1}{4}$ " (6mm) glass electrolytically copper-plated. Door has enameled steel piano-hinge and magnetic catch. Door is 15 $\frac{1}{2}$ " W, 25 $\frac{7}{8}$ " H (405 x 655mm). Rough Wall Opening: 14" W, 23 $\frac{5}{8}$ " H, 3 $\frac{1}{2}$ " min. depth (355 x 600 x 90mm) Av. Mtg. Ht.: 73" (1855mm) to top of unit; Barrier-Free, 65 $\frac{1}{2}$ " (1665mm).

B-297 SURFACE-MOUNTED MEDICINE CABINET



All-steel cabinet and two fixed shelves with baked white enamel finish. Mirror: No. 1 quality, $\frac{1}{8}$ " (3mm) glass electrolytically copper-plated. Door has enameled steel piano-hinge and magnetic catch. Door is 14 $\frac{1}{8}$ " W, 20 $\frac{1}{4}$ " H (360 x 515mm). Unit 3 $\frac{3}{4}$ " (95mm) deep. Av. Mtg. Ht.: 69" (1755mm) to top of unit; Barrier-Free, 60" (1525mm).

2 $\frac{1}{2}$ " (65mm) Square Flange for B-6047 and B-6107



B-6047 ClassicSeries EXTRA HEAVY-DUTY SHOWER CURTAIN ROD

Type 304 stainless steel, satin finish. 18-gauge (1.2mm), 1 $\frac{1}{4}$ " (32mm) diameter rod. Flanges are 2 $\frac{1}{2}$ " (65mm) square. Available in 36" (915mm), 48" (1220mm), 60" (1525mm), 72" (1830mm) lengths.

B-6107 ClassicSeries HEAVY-DUTY SHOWER CURTAIN ROD

Similar to B-6047, but with 20-gauge (1.0mm), 1" (25mm) diameter rod. Available in 36" (915mm), 48" (1220mm), 60" (1525mm), 72" (1830mm) lengths.



B-207 SHOWER CURTAIN ROD WITH CONCEALED MOUNTING

1" (25mm) diameter rod is 20-gauge (1.0mm), type 304 stainless steel, satin finish. 1 $\frac{3}{8}$ " (35mm) diameter flanges are chrome-plated plastic, bright-polished finish; mount on concealed wall brackets. Available in 36" (915mm), 48" (1220mm), 60" (1525mm), 72" (1830mm) lengths.



204-2 VINYL SHOWER CURTAIN



Opaque, matte white vinyl, 0.008" (0.2mm) thick, contains anti-bacterial and flame-retardant agents. Nickel-plated brass grommets along top, one every 6" (150mm). Bottom and sides are hemmed. Hooks are not included. Curtain 42" W, 72" H (1065 x 1830mm). Requires 7 hooks.

204-3 Similar to 204-2, but curtain is 70" W, 72" H (1780 x 1830mm). Requires 12 hooks.



204-1 SHOWER CURTAIN HOOK Type 304 stainless steel for use on 1" and 1 $\frac{1}{4}$ " (25 and 32mm) diameter shower curtain rods.