

ContainAire Framed Doors with Retracting Roof

Shown Below with Hinged Doors

vContainAire framed door systems are available in hinged or sliding access styles. Both designs feature no bottom threshold to prevent tripping. Available with custom locks and stays each design can be installed to open from the left or right with a double sliding door design option available. The frame is made of clear or black anodized aluminum and a clear center panel consisting of rigid acrylic materials.

All ContainAire Hinged Doors are 56" Wide x 80" High with a 36" wide swinging door. Handedness is best described as the side of the door that the handle is located when viewed from outside of the aisle, on the opposite is the hinge and all doors swing outward. In a given rack it may be required to purchase an additional ContainAire Partition if the racks exceed the 80" height or if a ContainAire Partition is being used with the Hinged Door. It is important to not leave any area of the aisle uncovered as air leakage will drastically reduce effectiveness.



ContainAire Framed Door Product Selection Chart

	Left Handed	Right Handed	2-Split Center	24" extension
Sliding Clear Anodized	CASLD89x80LC	CASLD89x80RC	CASLD89x80CC	CCAEW24X80C
Sliding Black Anodized	CASLD89x80LB	CASLD89x80RB	CASLD89x80CB	CCAEW24X80B
Hinged Clear Anodized	CASD56x80LC	CASD56x80RC	-	CCAEW24X80C
Hinged Black Anodized	CASD56x80LB	CASD56x80RB	-	CCAEW24X80B

The example below is based on the adjacent diagram.

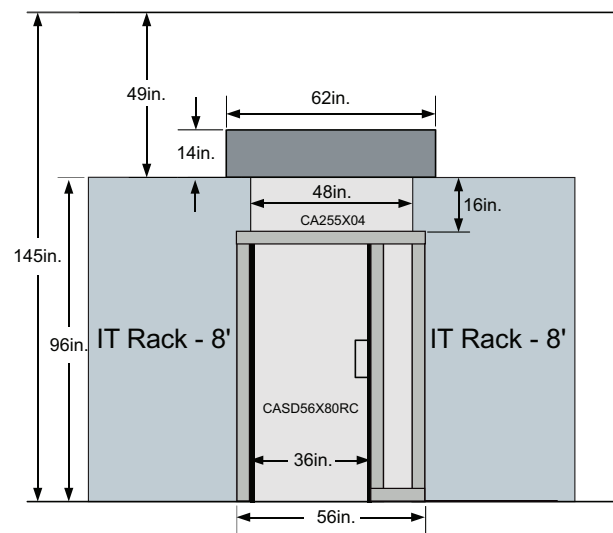
Given:

There are two rows of 20 x 2' racks forming a 40' long aisle. Each rack is 8' high and there is a 4' cold aisle between the two rows. A ContainAire Retracting Roof has been used for the vertical containment and you would like to install right handed, clear anodized Hinged Doors as the aisle end containment components.

Solution:

As the Aisle width is not so great as to require an extension panel, only right handed, clear anodized Hinged Doors (2-CASD56x80RC) are required.

Looking at the vertical height to the Retracting Roof an 8' (96") height needs to be filled; our Hinged Door will make up 6'-8" (80") of that length. The additional 16" will need to be filled with a ContainAire Partitions. Looking at the partition selection chart, we see that the 25.5" high x 4' long (2-CA255x04) will be required. The vinyl can then be slid into the slot in the bottom of the Retracting Roof.



Note: The same instructions would be followed for Sliding doors using part numbers from the ContainAire Framed Door Product Selection Chart.