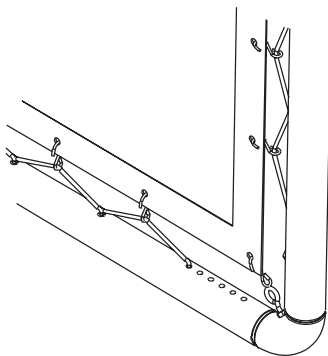
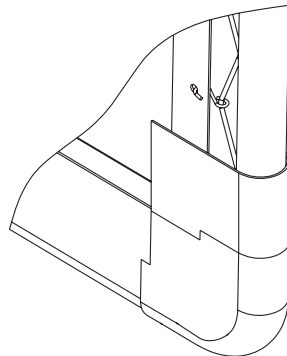


**SERIES 300 LACE AND GROMMET FRAME**

- Construction of 3" diameter aluminum tubing.
- Available with 7" wide Pro-Trim® Masking Cover for non-curved frames or velour masking for curved frames to conceal screen binding and lacing cord.
- The Curved Series 300 Frame may be specified to any degree of single axis curve with a maximum width of 90' wide.
- Lacing Cord and "S" Hooks included and positioned.
- Recommended for use with Da-Lite's front projection screen surfaces in sizes up to 90' wide and rear projection screen surfaces in sizes up to 40' wide.



Frame includes pre-positioned lacing cord and "S" Hooks.



Optional Pro-Trim® Masking Cover conceals screen binding and lacing cord.



**Description**

- Series 300 Lace and Grommet Frame
- Series 300 Lace and Grommet Frame with 7" Pro-Trim® Masking Cover
- Series 300 Lace and Grommet Frame with Single Axis Curve
- Series 300 Lace and Grommet Frame with Single Axis Curve and Velour Masking