

PIXMobile® PRE-ASSEMBLED MONITOR/TELEVISION CARTS

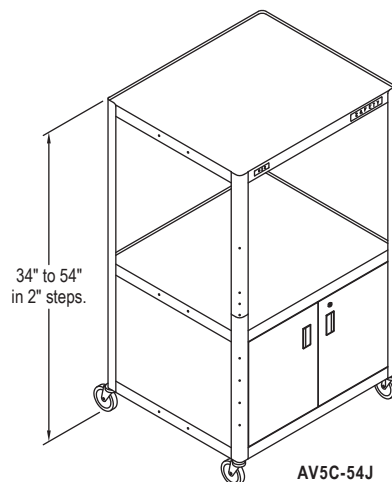
- 20" x 30" top shelf and extra wide base for added stability when moving heavier monitors and televisions.
- Fully assembled for convenience and robotically arc welded for superior strength.
- High quality 4" casters standard.
- AV5CM-54J includes an extra shelf.
- Center shelf adjusts with top shelf.
- Optional UL listed six outlet surge suppressor or three outlet electrical assembly with cord wind bracket available.



AV5C-54J

PIXMOBILE® FULLY ARC-WELDED WITH METAL CABINET AND 20" X 30" SHELF

| Model | Dimensions H x W x D | |
|-----------|-------------------------|---------------|
| | in. | cm. |
| AV5C-54J | 54" x 30" x 20" | 137 x 76 x 51 |
| AV5CM-54J | 54" x 30" x 20" | 137 x 76 x 51 |



AV5C-54J