

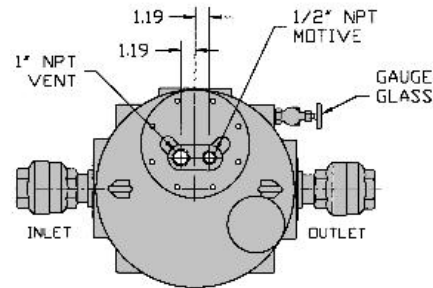
# NON-ELECTRIC CONDENSATE PUMPS

## PMPC CAST DUCTILE IRON TANK

### Pressure Motive Pump

Watson McDaniel reserves the right to change the designs and/or materials of its products without notice.  
©2010 Watson McDaniel Company

PUMPS



Model	<b>PMPC</b>
Body	<b>Ductile Iron</b>
Cover	<b>Ductile Iron</b>
Check Valves	<b>Stainless Steel</b>
PMO Max. Operating Pressure	<b>200 PSIG</b>
TMO Max. Operating Temperature	<b>388°F</b>
PMA Max. Allowable Pressure	<b>200 PSIG @ 650°F</b>
TMA Max. Allowable Temperature	<b>650°F @ 200 PSIG</b>

Note: ASME "UM" code stamp available.

### TYPICAL APPLICATIONS

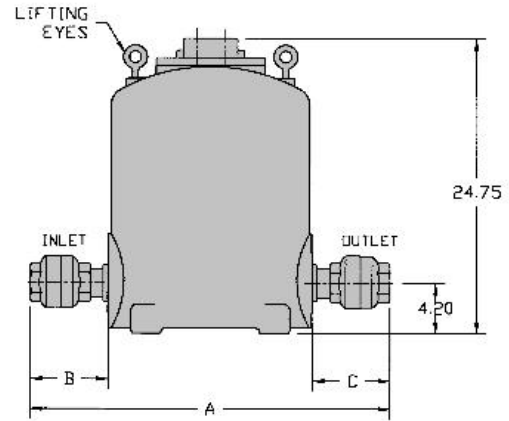
The PMPC pressure motive pump body & cover are manufactured from ductile iron. ASME "UM" code stamp is available. This pump is typically used when liquids must be moved to higher elevation, higher pressure or extended distances.

### FEATURES

- Equipped with our Patented "Snap-Assure" Mechanism which extends the useful life of the pump
- Mechanism incorporates heat-treated stainless steel wear items
- All stainless steel internals for ultimate corrosion resistance
- Dual compression springs made from Inconel-X-750 for high-temperature corrosive service
- Operates using steam, air, nitrogen or other pressurized gases as the motive force
- Non-Electric – can be used in remote locations or NEMA 4, 7, 9 & hazardous areas

### SAMPLE SPECIFICATION

The non-electric pressure powered pump shall be capable of operating with a maximum motive pressure of 200 PSIG provided by steam, air or other gas supply. The pump body shall be cast ASTM A-395 Ductile Iron capable of an ASME "UM" code stamp if requested. The pump mechanism shall be float operated with a patented "Snap-Assure" feature constructed of all stainless steel materials with all load bearing points hardened for extended service life. The mechanism shall feature two Inconel springs used in compression with motive & vent valves hardened to 40c Rockwell.



### DIMENSIONS — inches / pounds

Size (Inlet x Outlet)	A	B	C	Weight (lbs)
1" x 1"	29 1/2	6	6	360
1 1/2" x 1"	30 3/4	7 1/2	6	365
1 1/2" x 1 1/2"	31 1/4	7 1/2	7 1/2	367
2" x 1"	31	8	6	370
2" x 1 1/2"	32 1/2	8	7 1/2	380
2" x 2"	32 3/4	8	8	385
3" x 2"	35 1/4	9 1/4	8	390

### MATERIALS

Body & Cover	<b>Ductile Iron</b>
Cover Gasket	Grafoil
Cover Bolts	Steel
Inlet Valve	Hardened Stainless Steel 40 Rc
Vent Valve	Hardened Stainless Steel 40 Rc
Mechanism Yoke	304 Stainless Steel
Ball Float	304 Stainless Steel
Check Valves	Stainless Steel
Springs	Inconel-X-750
Other Internal Components	Stainless Steel

Snap-Assure Patent No. 6572340