

Roof Manifolds & Connections

Elkhart provides several choices in roof manifolds and connections. Roof manifolds provide water control (on mounted building or adjacent buildings) when used with angle hose valves while the roof connections can be used to disperse water to adjacent buildings. All options offer cast brass construction and 2½" outlets rated at 250 gpm (946 lpm) per outlet.





ROOF MANIFOLDS & CONNECTIONS

INLET SIZE (Inches)	OUTLET				CERT. U.L. LISTED	MEASUREMENTS (Inches)						Weight (Lbs.)	MODEL	FIGURE
	NUMBER		STYLE			A	B	C	D	E	F			
	2	3	MALE	FEMALE										
4	•		•		•	5 ⁵ / ₈	3 ¹¹ / ₁₆	4 ³ / ₈	2 ³ / ₈	5 ¹ / ₈	4 ¹⁵ / ₁₆	8	168	1
	•			•	•	5	7 ¹ / ₂	11	6 ⁷ / ₁₆			26 ¹ / ₄	158	3
	•			•	•	5	6 ⁵ / ₈	12 ³ / ₈	5 ⁷ / ₈			16 ¹ / ₄	159	4
	•		•		•	5 ¹ / ₁₆	5 ⁷ / ₁₆	7 ⁷ / ₈	5 ⁵ / ₈			9 ³ / ₄	751	6
		•	•		•	4 ¹ / ₅	5 ¹ / ₄	4 ¹³ / ₁₆	2 ¹ / ₂		4 ³ / ₈	10 ¹ / ₄	168	2
		•		•	•	5 ¹ / ₄	6 ⁵ / ₈	17 ¹ / ₂	6 ¹ / ₈			26	158	3
6	•		•		•	5 ⁵ / ₈	4 ¹¹ / ₁₆	4 ¹⁵ / ₁₆	2 ⁵ / ₈	7 ¹ / ₄	5 ¹¹ / ₁₆	14 ¹ / ₄	168	1
	•			•	•	7 ¹ / ₂	7 ¹ / ₂	11 ¹ / ₂	8			26 ¹ / ₄	158	3
	•		•		•	7 ¹ / ₂	9 ¹ / ₂	10 ¹¹ / ₁₆	8			20 ¹ / ₄	755	7
		•	•		•	5 ¹ / ₄	7 ¹ / ₄	4 ¹⁵ / ₁₆	2 ¹¹ / ₁₆		5 ³ / ₈	15 ¹ / ₄	168	2
		•		•	•	7 ³ / ₈	6 ⁵ / ₈	17 ¹ / ₄	6 ¹ / ₈			24 ³ / ₈	158	3
		•		•	•	7 ¹ / ₄	6 ⁵ / ₈	19	7 ¹⁵ / ₁₆			42 ³ / ₄	159	4
	•	•		•	7 ¹ / ₂	4 ³ / ₄	10 ¹¹ / ₁₆	10 ¹ / ₂			20 ³ / ₈	761	5	

ADDITIONAL INFORMATION

- When ordering, specify model number, inlet size and number of outlets.
- Each outlet has a rated flow of 250 gpm (946 lpm).
- Roof manifolds can be used in alternate applications and/or to test fire pump systems.

THREADS

All threads are NPT unless otherwise specified.

FIGURE 1

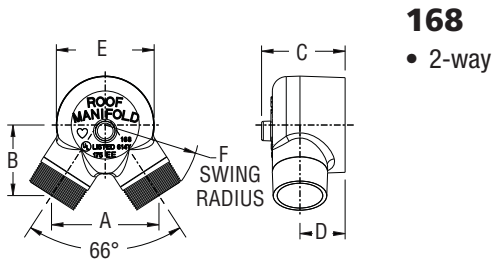


Fig. 1

FIGURE 2

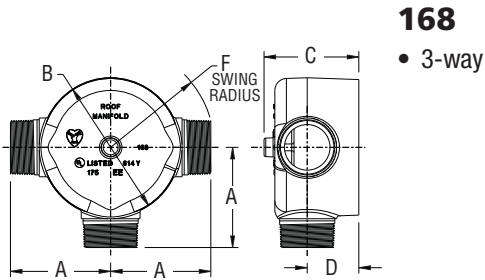


Fig. 2

FIGURE 3

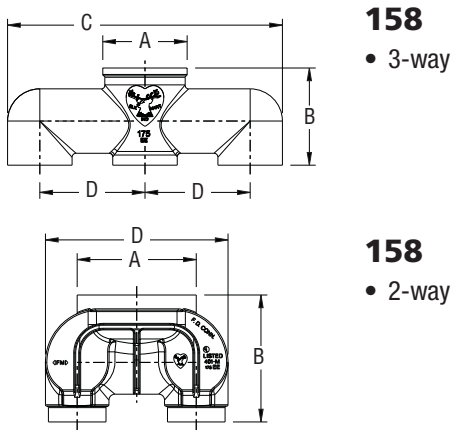


Fig. 3

FIGURE 4

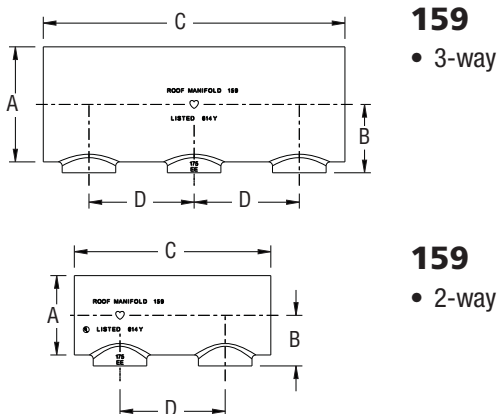


Fig. 4

FIGURE 5

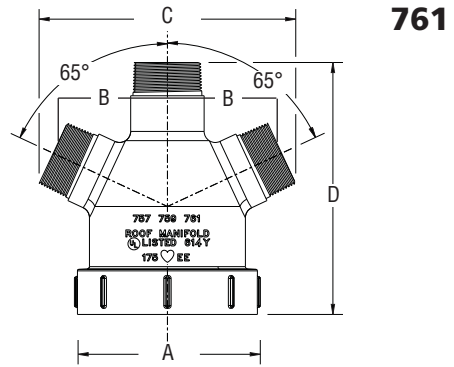


Fig. 5

FIGURE 6

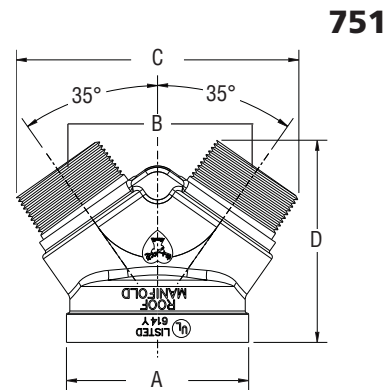


Fig. 6

FIGURE 7

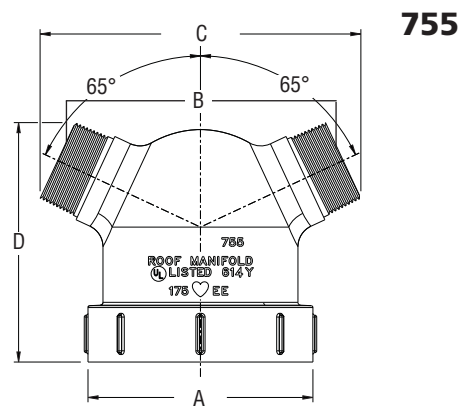


Fig. 7



ESCUTCHEONS

ROUND ESCUTCHEON PLATE



MEASUREMENTS				AVAILABLE LETTERING OPTIONS							MATERIAL/FINISH				Weight (Lbs.)	MODEL	
Pipe size (Inches)	Inside diameter	Outside diameter	Thickness	Automatic Sprinkler	Dry Standpipe	Hydrant	Pump Test Conn.	Standpipe	Standpipe & Automatic Sprinkler	Wall Hydrants	Brass			Aluminum			
											Polished	Rough	Satin	Chrome-plated	Red urethane		
1 1/2	1 15/16	3	15/32											s		1/8	589-1.5
2 1/2	2 59/64	4 13/32	3/16											s		5/16	589-2.5
4	4 3/16	10 3/16	1/4	•	•	•	•	•	•	•					s	1	590-4-A
	4 9/16	10 3/16	1/4	•	•	•	•	•	•	•	o		s	o		3 1/8	590-4-B
6	6 11/16	12	3/8	•	•	•	•	•	•	•				s		2 1/8	590-6-A
	6 11/16	12	3/8	•	•	•	•	•	•	•	o		s	o		6 7/8	590-6-B

Key s = standard o = option

RECTANGULAR ESCUTCHEON PLATE



MEASUREMENTS (Inches)		AVAILABLE LETTERING OPTIONS							MATERIAL				Weight (Lbs.)	MODEL	
Length	Width	Auto-Sprinkler	Auto-Sprk/StdP	Dry Standpipe	Pump Test	Sprinkler	Standpipe	Wall Hydrant	Cast Aluminum	Cast Brass	Polished Brass	Polished Chrome			
11 1/2	4 1/2						•		s					3/4	591-A
11 1/2	4 1/2						•			s				2 5/8	591-B
11 1/2	4 1/2					•			s					3/4	592-A
11 1/2	4 1/2					•				s				2 5/8	592-B

Key s = standard o = option

ADDITIONAL INFORMATION

Caps and plugs are available on page 10-1.