

EXPOSED

Exposed

Elkhart offers a variety of exposed fire department connection options, including standpipe and 90° for post or wall mounting. All Elkhart's exposed fire department connections are cast brass construction; all inlets swivel and feature female threads.





EXPOSED INLET

NPT OUTLET SIZE (Inches)	NUMBER OF 2.5" F NHT INLETS		CLAPPER		MEASUREMENTS (Inches)					AVAILABLE LETTERING			CERTI- FICATIONS		FINISH			Weight (Lbs.)	MODEL	FIGURE
	2	3	Individual Drop	Swinging	A	B	C	D	Swing Radius	Auto-Spkr	Standpipe	Standpipe and Auto-Spkr	FM Approved	U.L. Listed	Cast Brass	Polished Brass	Polished Chrome			
4.0	•			•	5 ¹⁵ / ₁₆	9 ⁷ / ₈	5 ⁷ / ₁₆	4		s			•	•	s			9	11	1
	•		•		8 ³ / ₄	13 ¹⁵ / ₁₆	5 ¹ / ₄	4							s	o		20 ¹ / ₂	18 4" *	2
	•		•		7 ⁷ / ₁₆	11 ⁷ / ₁₆	5 ¹ / ₄			s	o		•	•	s	o	o	16	12 4"	3
	•		•		8 ³ / ₄	12 ³ / ₄	5 ¹ / ₂	11 ⁷ / ₁₆		s	o	o	•	•		s	o	24 ¹ / ₂	156 4"	6
	•		•		9 ³ / ₁₆	11 ³ / ₄	5 ¹ / ₄	5 ⁷ / ₁₆	7 ³ / ₈	s	o		•	•	s	o	o	20 ¹ / ₂	10 4"	4
6.0		•	•		8 ⁷ / ₈	13 ¹⁵ / ₁₆	7 ¹ / ₄	4							s	o	o	25 ¹ / ₂	18 6" *	2
	•		•		10	11 ¹ / ₂	7 ¹ / ₂			s	o		•		s	o	o	25	12 6"	3
	•		•		10 ¹⁵ / ₁₆	12 ³ / ₄	7 ¹ / ₂	11 ⁷ / ₁₆		s	o	o	•			s	o	33 ³ / ₄	156 6"	6
	•		•		11 ⁷ / ₁₆	11 ³ / ₁₆	7 ¹ / ₂	5 ⁷ / ₁₆	8 ⁷ / ₁₆	s	o		•		s	o	o	23 ³ / ₄	10 6"	4
		•	•		11 ⁷ / ₈	11 ⁷ / ₈	7 ⁷ / ₈		7 ¹³ / ₁₆						s	o	o	25	29	5

Key s = standard o = option
 * Escutcheons available separately.

ADDITIONAL INFORMATION

- Elkhart's intake connections bodies are rated for 175 psi (12.1 bar).
- Each 2¹/₂" NHT inlet has a rated flow of 250 gpm (946 lpm).
- Model 156 supplied with plug (#311) and chains.

THREADS

Unless otherwise noted, all hose threads are NHT. See index T-12 for available optional threads.

OTHER PRODUCTS

See page 10-1 for available chains and plugs.

FIGURE 1

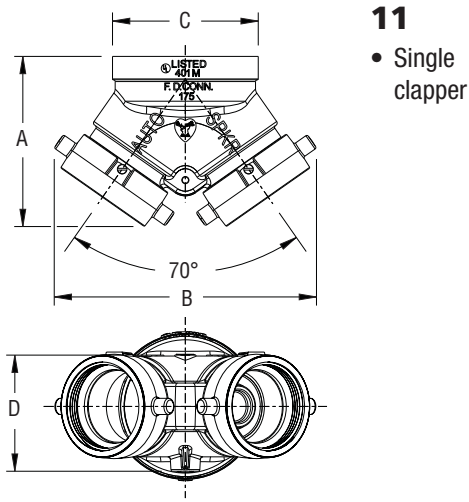


Fig. 1

FIGURE 4

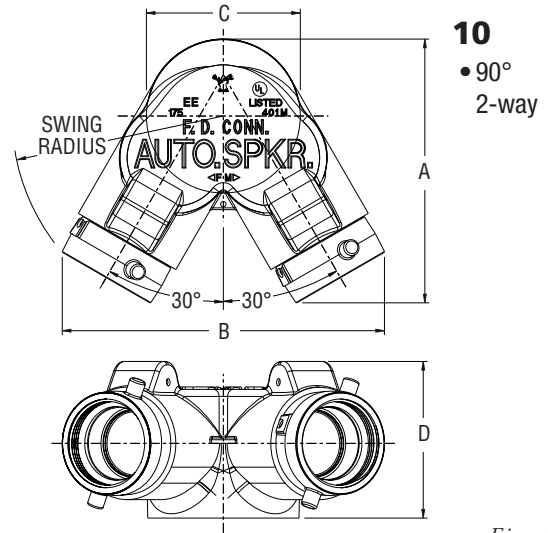


Fig. 4

FIGURE 2

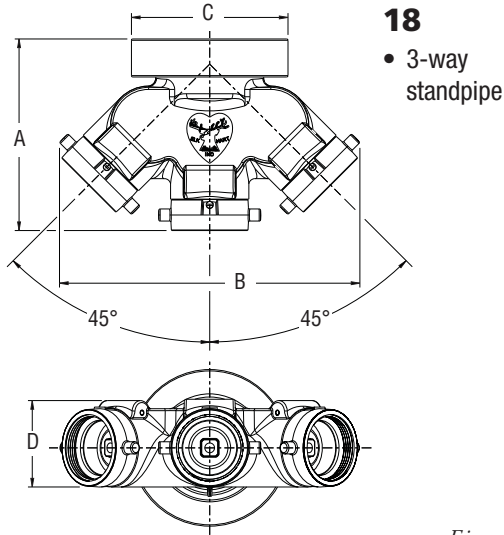


Fig. 2

FIGURE 5

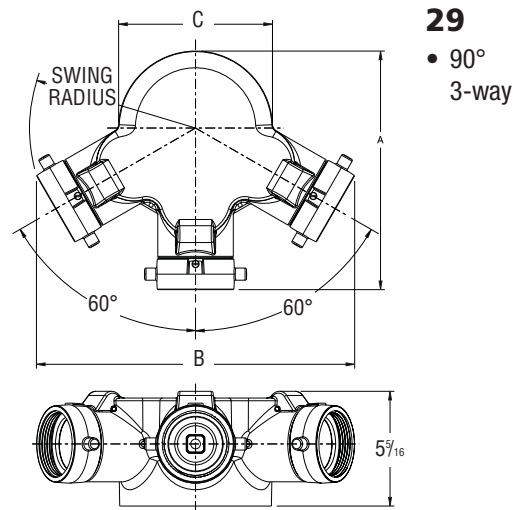


Fig. 5

FIGURE 3

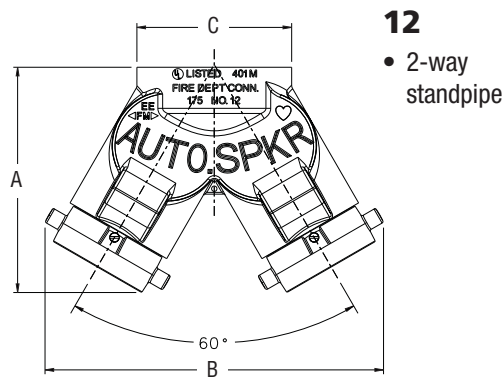


Fig. 3

FIGURE 6

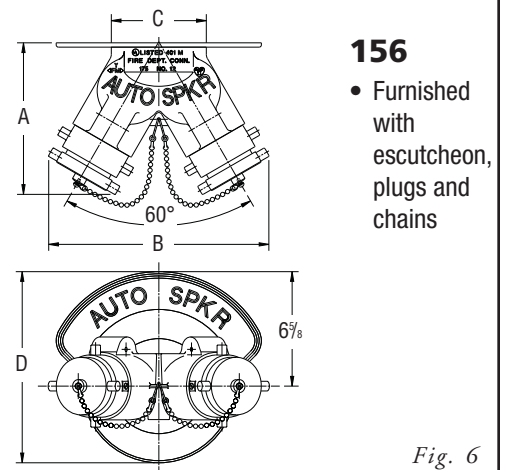


Fig. 6



EXPOSED OUTLET

NPT INLET SIZE (Inches)	OUTLET SIZE	MEASUREMENTS (Inches)					AVAILABLE ESCUTCHEON LETTERING	FINISH			Weight (Lbs.)	MODEL	FIGURE
		A	B	C	D	H	Wall Hydrant	Cast Brass	Polished Brass	Polished Chrome			
4	2 1/2	10 3/16	8 1/2	5 1/6	6 1/16	10 3/16	s	s			13	143*	1
6	2 1/2	11 7/8	12 5/8	7 1/2	11 13/16	11 1/16	s		s	o	24	153	2

Key s = standard o = option

* Can order body separately.

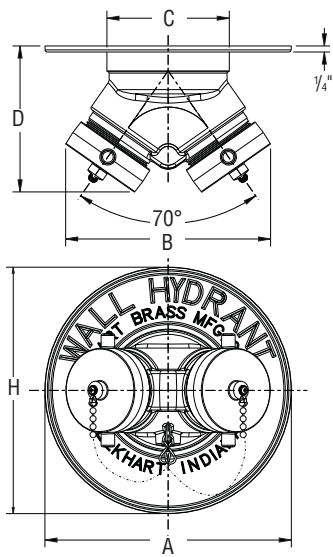
ADDITIONAL INFORMATION

- Bodies rated for 175 psi (12.1 bar).
- Each 2 1/2" M NHT outlet has a rated flow of 250 gpm (946 lpm).
- Supplied with caps (#310) and chains.

THREADS

Unless otherwise noted, all hose threads are NHT. See index T-12 for available optional threads.

FIGURE 1

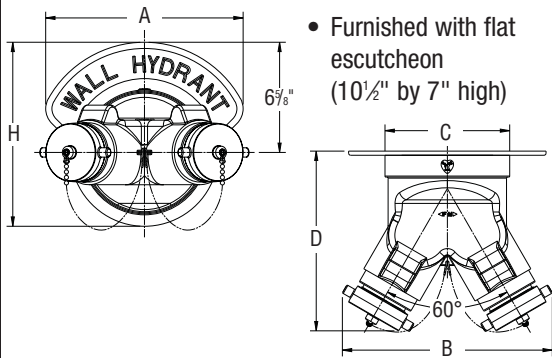


143

- Furnished with aluminum escutcheon with red painted letters

Fig. 1

FIGURE 2



153

- Furnished with flat escutcheon (10½" by 7" high)

Fig. 2



TERMINOLOGY

FREE STANDING

To better serve our customers, for this edition and future editions of the catalog, Elkhart Brass has adopted industry standard terminology for our products. In previous versions of our catalog, you may have found the items now listed as “free standing” under “sidewalk siamese” or “sidewalk hydrants”.

The industry standard terminology is more inclusive of different connection options.

EXPOSED

To better serve our customers, for this edition and future editions of the catalog, Elkhart Brass has adopted industry standard terminology for our products. In previous versions of our catalog, you may have found the items now listed as “exposed” under “exposed siamese” or “exposed wall hydrants”.

The industry standard terminology is more inclusive of different connection options.

FLUSH

To better serve our customers, for this edition and future editions of the catalog, Elkhart Brass has adopted industry standard terminology for our products. In previous versions of our catalog, you may have found the items now listed as “flush” under “flush siamese” or “flush wall hydrants” or “flush pump test”.

The industry standard terminology is more inclusive of different connection options.