



# TR800-DT5

Treadmill Desk



**DISPLAY READOUTS** Steps taken, walking time, calories burned, distance traveled, and walking belt speed

**DESKTOP HEIGHT** 41" - 56" (supports users 4'10" - 6'8")

**HEIGHT ADJUSTMENT METHOD** Manual

**WALKING BELT SPEED** 0.4 - 4.0 MPH

**WALKING SURFACE** 18" W x 52" L

**WARRANTY** *Three hours maximum daily usage*

**FRAME** Lifetime

**MOTOR** 3 Years

**PARTS** 1 Year

**LABOR** 1 Year

*Best Fit*

**USER WEIGHT**  
100 - 400 lbs.



**USE PER DAY**  
1 - 10 hours



**TOTAL USERS**



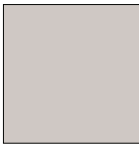
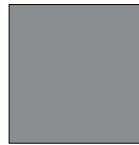
Single User

**LifeSpan Workplace Solutions**

[www.LifeSpanFitness.com](http://www.LifeSpanFitness.com) | 877.654.3837 option 2

PRODUCT **TR800-DT5**

**COLORS**

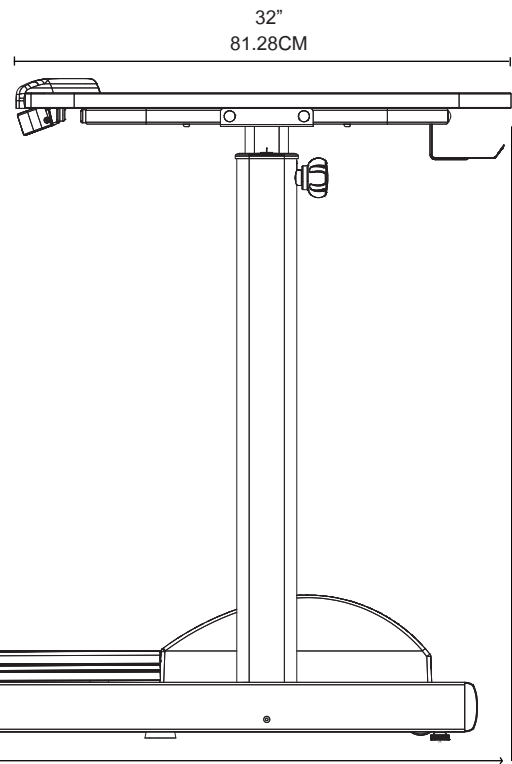
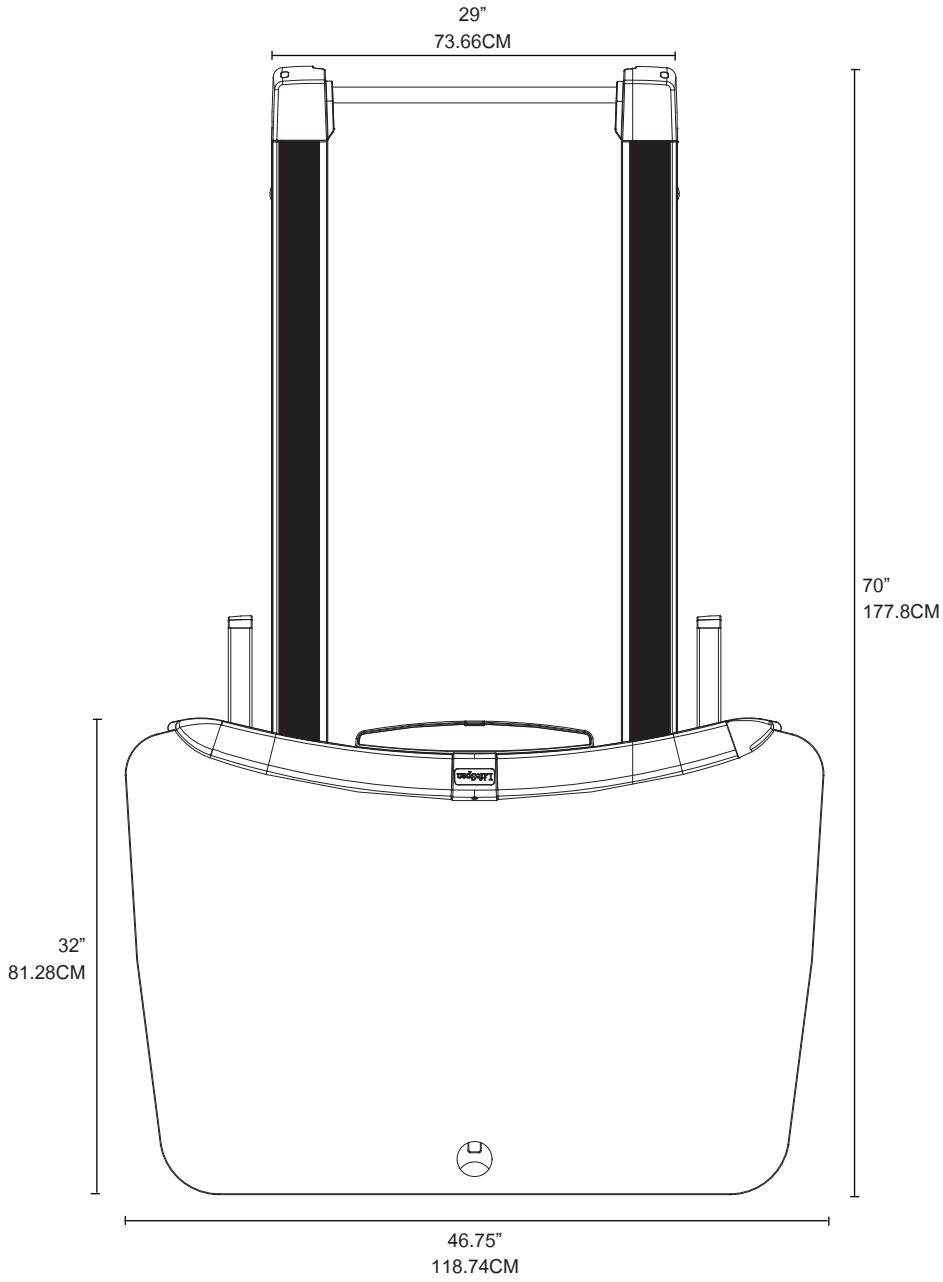
DESKTOP	FRAME
	
PANTONE® 3 C	PANTONE® 877 C

**DIMENSIONS**

DESKTOP	46.75" W x 32" D 118.74CM x 81.28CM
TREADMILL	66.5" L x 29" W x 9.25" H 168.91CM x 73.66CM x 23.49CM
ASSEMBLED	70" L x 46.75" W 177.8CM x 118.75CM

**WEIGHTS**

DESK	110 LBS/49.89 KG
TREADMILL	120 LBS/54.43 KG



6" / 15.24CM

70" / 177.8CM