

FREE STANDING

Free Standing

Elkhart's 90° free standing inlet connections are cast brass construction, as are the sleeves and escutcheons, and come furnished with plugs, chains and an 18" polished brass or chrome sleeve for standpipe cover.

Elkhart's 90° free standing hydrants and pump test connections are cast brass construction, as are the sleeves and eschutcheons, and come furnished with caps and chains.





FREE STANDING INLET

NPT OUTLET SIZE (Inches)	NUMBER OF 2.5" F NHT INLETS			CLAPPER TYPE		CERTI- FICATIONS		MEASUREMENTS (Inches)						AVAILABLE ESCUTCHEONS			FINISH		Weight (Lbs.)	MODEL	FIGURE
	2	3	4	Body (Drop)	Snoot	FM Approved	U.L. Listed	A	B	C	D	E	F	Auto-Spkr	Standpipe	Standpipe and Auto-Spkr	Polished Brass	Polished Chrome			
4.0	•			•		•	•	9 ¹ / ₄	8 ⁷ / ₁₆	1/2	18 ¹ / ₄	23 ¹¹ / ₁₆	23 ¹¹ / ₁₆	•	•	•	s	o	30	15-2W 4"	1
6.0	•			•		•		11 ¹ / ₈	9 ³ / ₄	1/2	18 ¹ / ₄	23 ¹¹ / ₁₆	23 ¹¹ / ₁₆	•	•	•	s	o	36 ¹ / ₄	15-2W 6"	1
		•		•				11 ¹ / ₈	9 ³ / ₄	1/2	18 ¹ / ₄	23 ⁹ / ₁₆	23 ⁹ / ₁₆	•	•	•	s	o	39 ³ / ₄	15-3W	2
			•	•				11 ¹³ / ₁₆	12 ¹ / ₈	1/2	18 ¹ / ₄		34 ⁷ / ₁₆	•	•	•	s	o	134	15-4W**	3

Key s = standard o = option

* Can order parts (sleeve or body with clapper) separately.

** Bodies of the 4-way products are rough brass or rough chrome with balance of parts polished.

ADDITIONAL INFORMATION

- Each 2¹/₂" NHT inlet has a rated flow of 250 gpm (946 lpm).
- Elkhart's sidewalk bodies are rated for 175 psi (12.1 bar).
- Supplied with plugs (#311) and chains.

THREADS

Unless otherwise noted, all hose threads are NHT. See index T-12 for available optional threads.

FIGURE 1

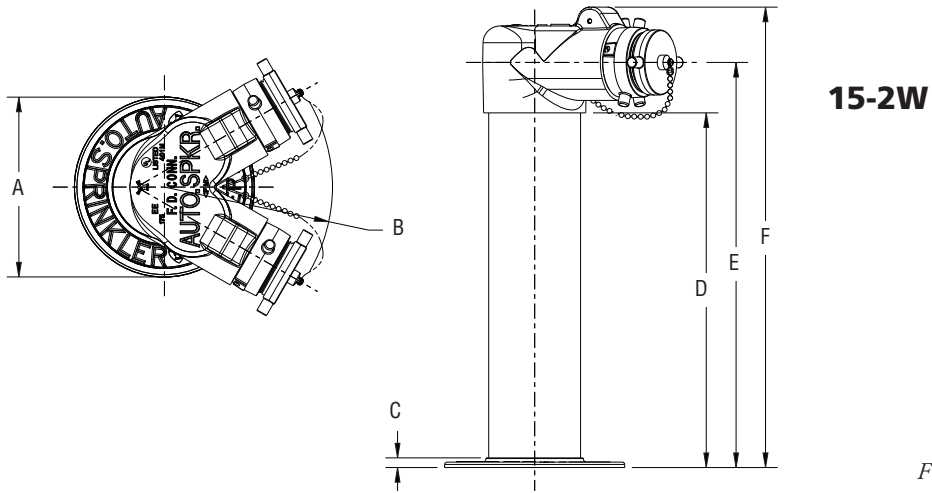


FIGURE 2

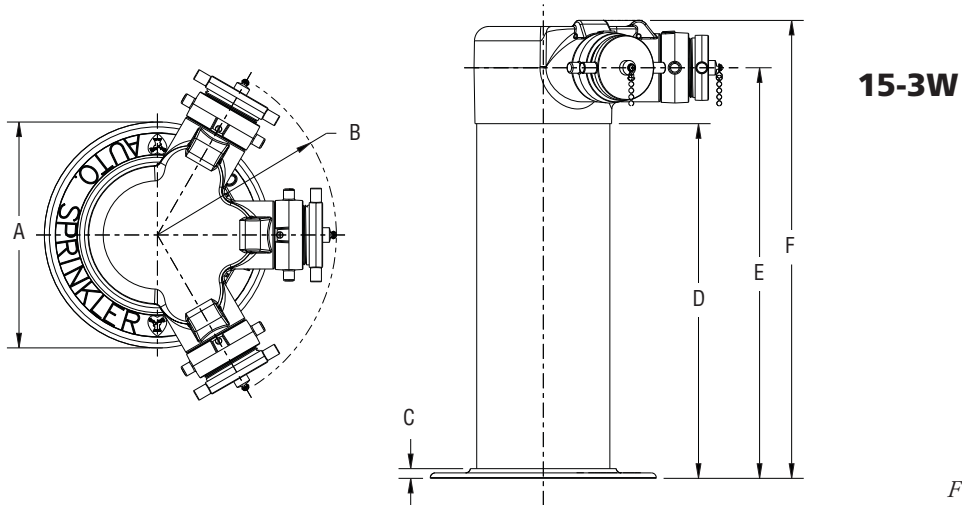
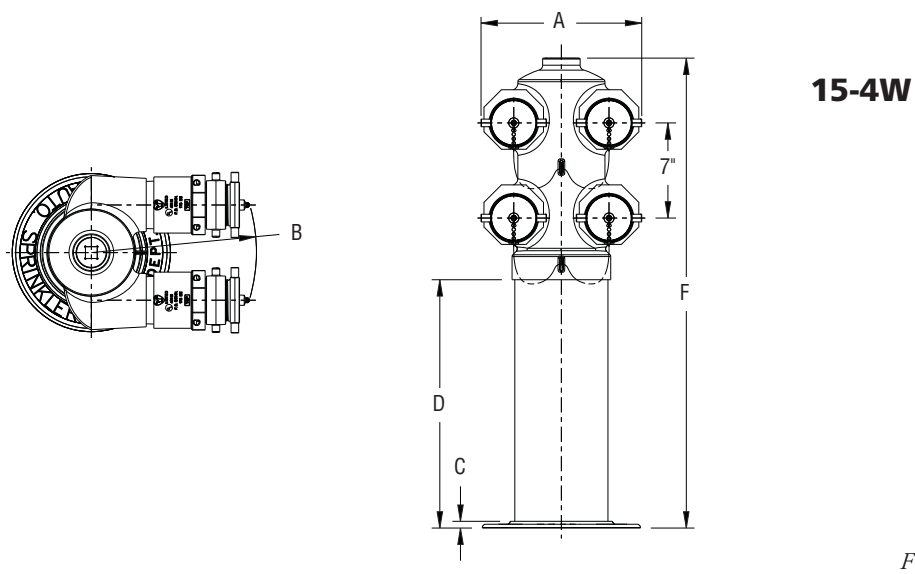


FIGURE 3





FREE STANDING OUTLET

Type	NPT INLET SIZE (Inches)	NUMBER OF 2.5" M NHT OUTLETS			CERTIFICATION	MEASUREMENTS (Inches)						AVAILABLE ESCUTCHEONS		FINISH		Weight (Lbs.)	MODEL	FIGURE	
		2	3	4		FM Approved	A	B	C	D	E	F	Hydrant	Pump Test Conn.	Polished Brass				Polished Chrome
Hydrants	4.0	•			•	9 ¹ / ₄	8 ⁷ / ₁₆	1/2	18 ¹ / ₄	20 ⁷ / ₈	23 ² / ₃	•		s	o	30	16-2W 4" ^{**}	1	
	6.0	•			•	11 ⁷ / ₈	10 ¹ / ₁₆	1/2	18 ¹ / ₄	21	23 ¹³ / ₁₆	•		s	o	36 ¹ / ₄	16-2W 6" ^{**}	1	
			•			•	11 ⁷ / ₈	8 ⁷ / ₈	1/2	18 ¹ / ₄	21 ¹ / ₈	23 ⁷ / ₁₆	•		s	o	39 ³ / ₄	16-3W	2
				•		•	11 ¹¹ / ₁₆	8 ¹ / ₂	1/2	18 ¹ / ₄		34 ⁷ / ₁₆	•		s	o	134	16-4W ^{**}	3
Pump Test Connections	4.0	•				9 ¹ / ₄	8 ⁷ / ₁₆	1/2	18 ¹ / ₄	20 ⁷ / ₈	23 ⁷ / ₄		•	s	o	30	16-P 2W 4"	1	
	6.0	•				11 ⁷ / ₈	10 ¹ / ₁₆	1/2	18 ¹ / ₄	21	23 ¹³ / ₁₆		•	s	o	36 ¹ / ₄	16-P 2W 6"	1	
				•			11 ⁷ / ₈	8 ⁷ / ₈	1/2	18 ¹ / ₄	21 ¹ / ₈	23 ⁷ / ₁₆		•	s	o	39 ³ / ₄	16-P 3W	2
					•		11 ¹¹ / ₁₆	8 ¹ / ₂	1/2	18 ¹ / ₄		34 ⁷ / ₁₆		•	s	o	134	16-P 4W ^{**}	3

Key s = standard o = option

* Can order parts (sleeve or body) separately.

** Bodies of the 4-way products are rough brass or rough chrome with balance of parts polished.

ADDITIONAL INFORMATION

- Each outlet has a rated flow of 250 gpm (946 lpm).
- Elkhart's sidewalk bodies are rated for 175 psi (12.1 bar).
- Supplied with caps (#310) and chains.

THREADS

Unless otherwise noted, all hose threads are NHT. See index T-12 for available optional threads.

OTHER PRODUCTS

154-S – A cast brass valve control for actuating underground mounted valve, used with Elkhart's model #16 (a sidewalk type hydrant), is available. The 154-S comes with a 7/8" square steel extension rod that is 24" long and has a special coupling for attaching to stem of gate valve. Additionally, a cap, chain and sleeve are included. Please specify polished brass or polished chrome-plated sleeve.

◦ Note: a 2¹/₂" hole is required in the concrete slab, as well as a 1¹/₂" nipple and locknut which are not included.

◦ This product is similar, in function, to the 164 seen on page 12-18.

- Use of a X-86 gate valve is suggested on Pump Test Connections. Gate valve may be found on page 7-4.

FIGURE 1

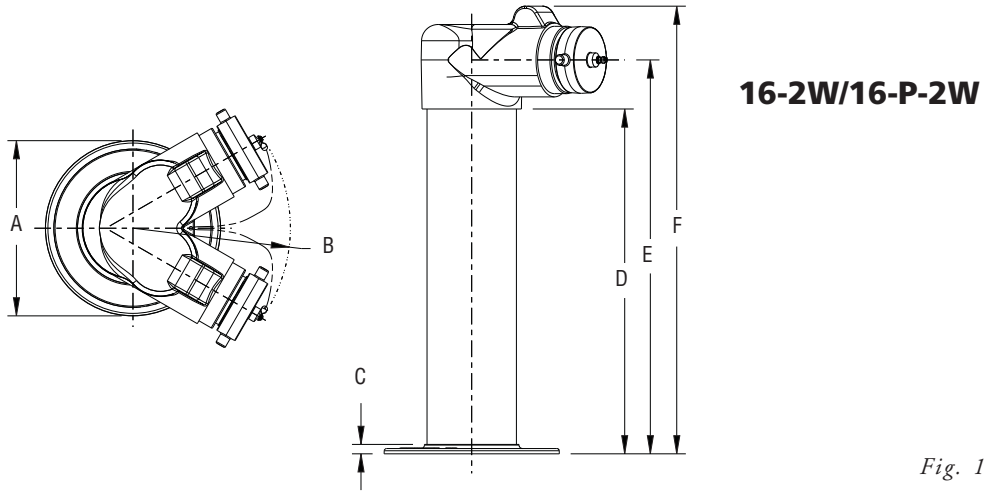


FIGURE 2

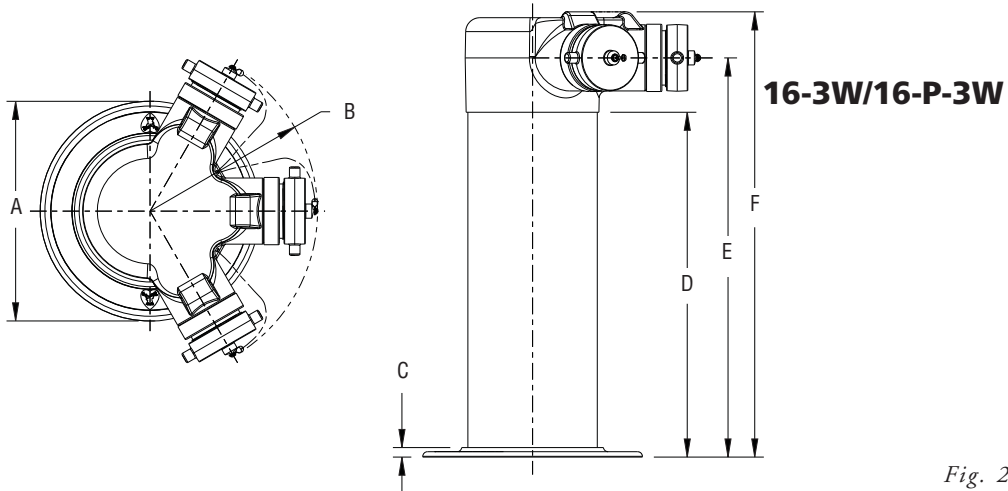
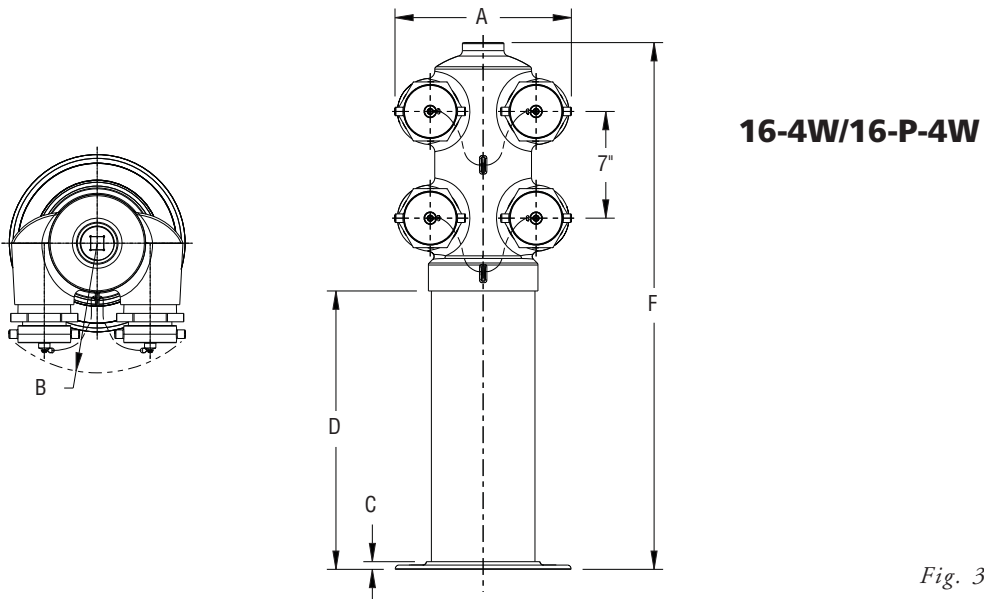


FIGURE 3





TERMINOLOGY

FREE STANDING

To better serve our customers, for this edition and future editions of the catalog, Elkhart Brass has adopted industry standard terminology for our products. In previous versions of our catalog, you may have found the items now listed as “free standing” under “sidewalk siamese” or “sidewalk hydrants”.

The industry standard terminology is more inclusive of different connection options.

EXPOSED

To better serve our customers, for this edition and future editions of the catalog, Elkhart Brass has adopted industry standard terminology for our products. In previous versions of our catalog, you may have found the items now listed as “exposed” under “exposed siamese” or “exposed wall hydrants”.

The industry standard terminology is more inclusive of different connection options.

FLUSH

To better serve our customers, for this edition and future editions of the catalog, Elkhart Brass has adopted industry standard terminology for our products. In previous versions of our catalog, you may have found the items now listed as “flush” under “flush siamese” or “flush wall hydrants” or “flush pump test”.

The industry standard terminology is more inclusive of different connection options.