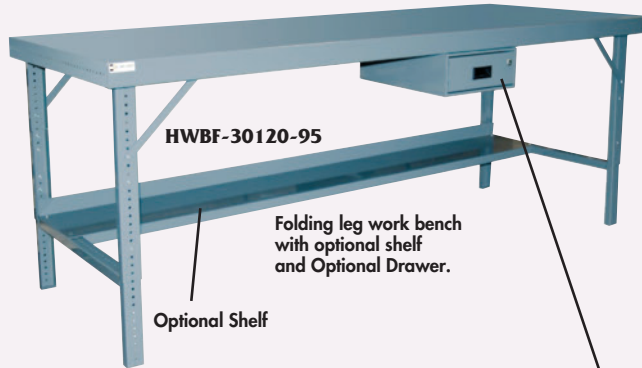


# QUALITY WORK BENCHES

**DURHAM MFG®**  
Est. 1922

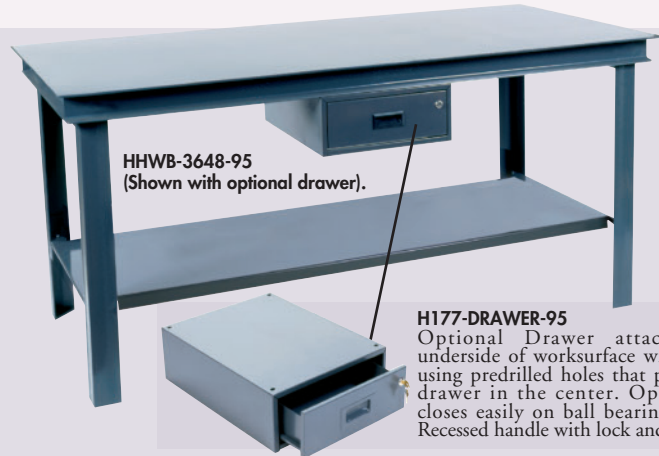
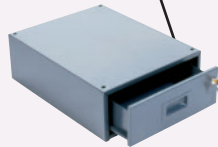
## Folding Leg Style Benches

- Hinged legs are welded to the underside of the bench.
- Have support braces to hold legs in place -- no stringers needed!



## Optional Drawer

Optional Drawer attaches to underside of worksurface with bolts using predrilled holes that place the drawer in the center. Opens and closes easily on ball bearing slides. Recessed handle with lock and 2 keys. Measures 13 $\frac{3}{8}$ " x 19 $\frac{1}{2}$ " x 5". **H177-DRAWER-95** Wt. 20 (lbs.) Price Ea. \$98.34



## Heavy-Duty Work Benches

- Built to support loads up to 12,000 lbs.
- Extra thick  $\frac{3}{8}$ " ga. steel top for superior supporting power.
- Shipped assembled, ready for use.

Features heavy-duty, all-welded steel construction. Lower shelf is made of 12 ga. steel with 500 lb. capacity. Angle iron legs are 2" x 2" x  $\frac{1}{4}$ ". Footpads measure 3" x 3" x  $\frac{1}{4}$ " with  $\frac{3}{8}$ " dia. anchor holes. Finished in durable Gray powder coat. FOB Shipping Point.

HEAVY DUTY WORK BENCHES			
Product No.	Top Size D x L	Wt. (lbs.)	Price Ea.
HHDWB-3048-95	30 x 48"	272	\$383.27
HHDWB-3660-95	36 x 60"	343	454.15
HHDWB-3672-95	36 x 72"	389	505.56

## Ergonomic Work Benches

- Available in Folding Leg or Basic leg designs.
- Easily adjust surface heights from 28" to 42" above the floor.

Chose the right work height for any work application. Add shelves and drawers as needed. These rugged work benches create more comfortable and productive work areas. Strong 2000 lb. capacity evenly distributed. Available with Steel Top or Tempered Hardboard over steel top. Assembles in minutes. Gray powder coat finish. FOB Shipping Point.

FOLDING LEG STYLE BENCHES						
ALL STEEL TOP				TEMPERED HARDBOARD OVER STEEL TOP		
Size W x D	Product No.	Wt. (lbs.)	Price Ea.	Product No.	Wt. (lbs.)	Price Ea.
60 x 30"	HWBF-3060-95	115	\$382.11	HWBF-TH-3060-95	129	\$458.24
60 x 36"	HWBF-3660-95	129	401.75	HWBF-TH-3660-95	145	486.13
72 x 30"	HWBF-3072-95	127	393.28	HWBF-TH-3072-95	143	470.72
72 x 36"	HWBF-3672-95	142	410.11	HWBF-TH-3672-95	162	489.50
96 x 30"	HWBF-3096-95	160	445.31	HWBF-TH-3096-95	182	528.83
96 x 36"	HWBF-3696-95	180	479.95	HWBF-TH-3696-95	207	543.49
96 x 48"	HWBF-4896-95	226	565.49	HWBF-TH-4896-95	263	598.83
120 x 30"	HWBF-30120-95	222	611.55	HWBF-TH-30120-95	250	736.23
120 x 36"	HWBF-36120-95	247	636.96	HWBF-TH-36120-95	270	767.21
120 x 48"	HWBF-48120-95	308	737.50	HWBF-TH-48120-95	355	845.55

## Optional Shelves

- For use with folding leg benches.

14 ga. steel shelves have 2 $\frac{1}{2}$ " back lip and 1 $\frac{1}{2}$ " front flange.

Easily bolts to cross braces on legs and sits 11 $\frac{1}{4}$ " above the floor.

OPTIONAL SHELVES			
Product No.	For Benches	Wt. (lbs.)	Price Ea.
HWB-SHELF-60-95	60"L.	19	\$41.33
HWB-SHELF-72-95	72"L.	23	46.03
HWB-SHELF-96-95	96"L.	40	58.50
HWB-SHELF-120-95	120"L.	50	75.97

## Extra Heavy-Duty Work Benches

- Built to support loads up to 14,000 lbs.
- $\frac{1}{4}$ " thick steel plate work surface welded to 3" "C" channel frame.
- $\frac{3}{8}$ " x 3" thick angle iron, sturdy steel legs.

These Extra Heavy-duty Workbenches make it easy to work on the heaviest assemblies at a comfortable level. All models include a 29 $\frac{1}{2}$ " deep shelf that sits 10" above floor. Durable, gray powder coat finish is four times thicker than wet paint and resistant to corrosion and rust. Ships fully welded, ready for use. FOB Shipping Point.

EXTRA HEAVY-DUTY WORKBENCHES			
Product No.	Size W x D x H	Wt. (lbs.)	Price Ea.
HHWB-3648-95	48 x 36 x 34"	316	\$528.62
HHWB-3660-95	60 x 36 x 34"	353	587.89
HHWB-3672-95	72 x 36 x 34"	390	655.87
H177-DRAWER-95	13 $\frac{3}{8}$ " x 19 $\frac{1}{2}$ " x 5"	20	98.34

$\frac{3}{8}$ " ga. corner gussets for better weight distribution.

Under-table angle iron reinforcement for increased weight bearing capacity.

Safe, smooth radius edges.

