

WORK BENCHES

Pucel
Enterprises, Inc.

Optional Side & Backstops

Industrial Work Benches

- Built for heavy-duty support and working surface – handles loads up to 3000 lbs.
- Perfect for assembly or maintenance work.



Here's the bench designed for hard work and durability. Made of 12 ga. steel top, 16 ga. stringers and shelves. The top, stringer and legs are standard bench components and are all reinforced for additional strength. Standard height 32½". All benches 96" or longer have 3 bench legs. Available in Steel Top or Maple Top. Custom design available. 13 standard colors. FOB Shipping Point. Laminate and composition available.

DRAWERS

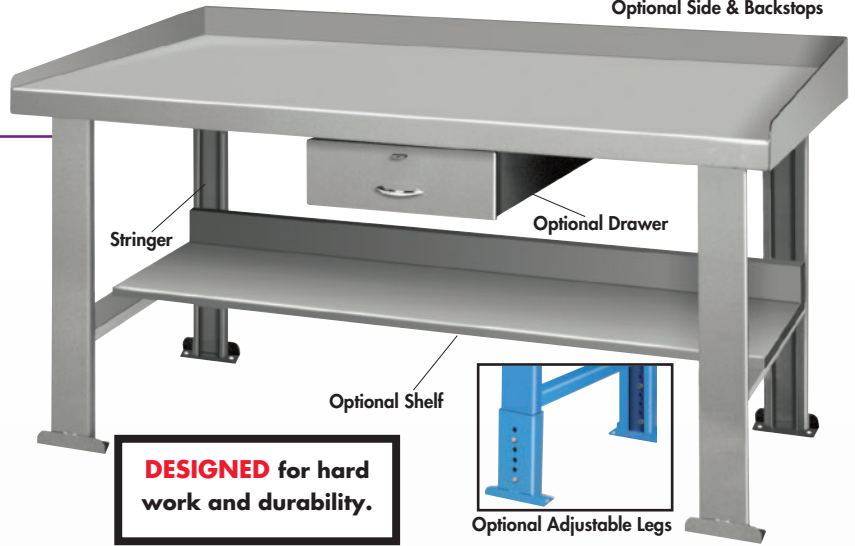
H1416-1 Measures 14"W. x 15"D. x 5"H.
Wt. 15 (lbs.) Price Ea. **\$47.56**

H1424-1 Measures 14"W. x 23"D. x 5"H.
Wt. 26 (lbs.) Price Ea. **\$58.59**

ADJUSTABLE LEGS

HABL-2 For 48", 60", 72"W. Benches.
Wt. 5 (lbs.) Add **\$43.95**

HABL-3 For 96", 120"W. Benches.
Wt. 6 (lbs.) Add **\$65.91**



DESIGNED for hard work and durability.

STEEL TOP BENCH			
Product No.	Size D x W	Wt. (lbs.)	Price Ea.
HF-2448	24 x 48"	107	\$213.79
HF-2460	24 x 60"	120	238.34
HF-2472	24 x 72"	134	264.33
HF-2496	24 x 96"	180	370.55
HF-24120	24 x 120"	195	409.82
HF-2848	28 x 48"	118	234.29
HF-2860	28 x 60"	132	263.83
HF-2872	28 x 72"	148	298.62
HF-2896	28 x 96"	198	404.64
HF-28120	28 x 120"	215	450.33
HF-3448	34 x 48"	132	263.83
HF-3460	34 x 60"	148	300.98
HF-3472	34 x 72"	164	338.14
HF-3496	34 x 96"	220	448.01
HF-34120	34 x 120"	250	517.08

MAPLE TOP BENCH			
Product No.	Size D x W	Wt. (lbs.)	Price Ea.
HFW-2448	24 x 48"	107	\$321.60
HFW-2460	24 x 60"	124	369.67
HFW-2472	24 x 72"	138	414.61
HFW-3048	30 x 48"	127	375.15
HFW-3060	30 x 60"	147	433.43
HFW-3072	30 x 72"	166	490.03
HFW-3096	30 x 96"	226	661.59
HFW-30120	30 x 120"	264	785.95
HFW-3648	36 x 48"	143	426.52
HFW-3660	36 x 60"	167	496.46
HFW-3672	36 x 72"	188	563.29
HFW-3696	36 x 96"	256	761.46
HFW-36120	36 x 120"	295	887.26

OPTIONAL ACCESSORIES											
SIDE & BACK STOPS --											
FOR STEEL TOPS				MAPLE WOOD TOPS							
Product No.	Shelf Wt. (lbs.)	Price Ea.	Product No.	Bench Size D x W	Wt. (lbs.)	Price Ea.	Product No.	Bench Size D x W	Wt. (lbs.)	Price Ea.	
HSH-48	18	\$40.02	H2448S	24 x 48"	15	\$39.52	H2448W	24 x 48"	16	\$39.52	
HSH-60	22	48.12	H2460S	24 x 60"	17	43.57	H2460W	24 x 60"	16	43.57	
HSH-72	26	55.04	H2472S	24 x 72"	19	47.62	H2472W	24 x 72"	20	47.62	
HSH-96	34	73.61	H2496S	24 x 96"	26	65.65	H3048W	30 x 48"	20	45.25	
HSH-120	42	87.45	H24120S	24 x 120"	29	72.67	H3060W	30 x 60"	22	48.12	
HSH-48	18	40.02	H2848S	28 x 48"	19	45.25	H3072W	30 x 72"	24	50.98	
HSH-60	22	48.12	H2860S	28 x 60"	21	48.12	H3096W	30 x 96"	29	67.63	
HSH-72	26	55.04	H2872S	28 x 72"	23	50.98	H30120W	30 x 120"	32	77.85	
HSH-96	34	73.61	H2896S	28 x 96"	28	67.63	H3648W	36 x 48"	22	46.93	
HSH-120	42	87.45	H28120S	28 x 120"	31	77.85	H3660W	36 x 60"	24	49.80	
HSH-48	18	40.02	H3448S	34 x 48"	21	30.35	H3672W	36 x 72"	26	55.04	
HSH-60	22	48.12	H3460S	34 x 60"	23	49.80	H3696W	36 x 96"	31	70.50	
HSH-72	26	55.04	H3472S	34 x 72"	25	55.04	H36120W	36 x 120"	35	84.52	
HSH-96	34	73.61	H3496S	34 x 96"	30	70.50					
HSH-120	42	87.45	H34120S	34 x 120"	34	84.52					

For Benches 34"H. Add \$16.35
For a Maple Top Work Bench
Shipped Set-Up Add \$27.26

Wall/Bench Storage Cabinets

- Designed for wall hanging or convenient bench use.
- Durable all-welded heavy duty construction features.

WC Series

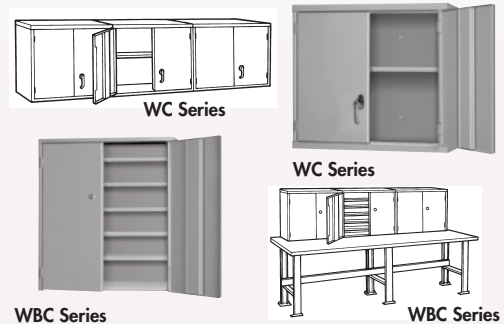
Flush mount double doors with 2-point locking handle. Shelf is adjustable. Can be mounted on a wall or bench. FOB Shipping Point.

WBC Series

Helps keep small parts organized and ready in instant retrieval. Doors are secured with a cylinder lock (2 keys included). Can be mounted on a wall or bench. FOB Shipping Point.

WC SERIES					
Product No.	Size W x D x H	No. Shelves	Wt. (lbs.)	Price Ea.	
HWC-3027	30 x 14 x 27"	1	60	\$229.36	
HWC-3627	36 x 14 x 27"	1	68	250.30	
HWC-4827	48 x 14 x 27"	1	88	294.37	

WBC SERIES					
Product No.	Size W x D x H	No. Shelves	Wt. (lbs.)	Price Ea.	
HWBC-2621-4	26½ x 9 x 21"	4	39	109.21	
HWBC-2630-6	26½ x 9 x 30"	6	53	147.05	
HWBC-2630-3	26½ x 9 x 30"	3	44	125.85	
HWBC-3524-2	35½ x 9 x 24"	2	45	136.77	



COLOR CHART
13 Colors available at NO additional cost. Gray, Dark Green, Vista Green, Dark Brown, Beige, Dark Blue, Light Blue, Orange, Red, Putty, Black, White, and Yellow -- please specify. Delivery is not affected by color choice. Custom Colors available at additional cost. Custom Design...All items can be modified to suit your needs. Call for information.



Ergonomic Hydraulic Work Benches

- These ergonomic benches allow operators to adjust their work surface.
- Accommodates specific height need with ease.

Puts the work surface at the right height for back and fatigue saving productivity. Benches can be ordered with 8", 12" or 16" height adjustment. 1000 lbs. capacity for 8" and 12" adjustment, 750 lbs. for 16" adjustment. 16" adjustment available on benches 34"D. or larger. Manual crank folds under the bench when not in use. Electric unit can adjust height with the push of a button. Custom design available. 13 standard colors. FOB Shipping Point. Specify height adjustment...

STEEL TOP BENCHES						
Size D x W	Product No.	MANUAL		ELECTRIC		
		Wt. (lbs.)	Price Ea.	Product No.	Wt. (lbs.)	Price Ea.
28 x 48"	HHBS-2848-M8	169	\$1,276.56	HHBS-2848-E8	187	\$1,753.78
28 x 60"	HHBS-2860-M8	187	1,307.10	HHBS-2860-E8	205	1,784.32
28 x 72"	HHBS-2872-M8	204	1,343.31	HHBS-2872-E8	222	1,820.52
28 x 96"	HHBS-2896-M8*	280	1,839.68	HHBS-2896-E8*	298	2,257.65
28 x 120"	HHBS-28120-M8*	316	1,886.53	HHBS-28120-E8*	334	2,303.33
34 x 48"	HHBS-3448-M8	186	1,308.04	HHBS-3448-E8	204	1,785.25
34 x 60"	HHBS-3460-M8	206	1,347.37	HHBS-3460-E8	224	1,823.40
34 x 72"	HHBS-3472-M8	226	1,385.51	HHBS-3472-E8	244	1,861.53
34 x 96"	HHBS-3496-M8*	310	1,886.23	HHBS-3496-E8*	327	2,302.77
34 x 120"	HHBS-34120-M8*	349	1,952.79	HHBS-34120-E8*	367	2,370.76

WOOD TOP						
Size D x W	Product No.	MANUAL		ELECTRIC		
		Wt. (lbs.)	Price Ea.	Product No.	Wt. (lbs.)	Price Ea.
30 x 48"	HHBW-3048-M8	178	1,429.27	HHBW-3048-E8	196	1,905.30
30 x 60"	HHBW-3060-M8	203	1,493.54	HHBW-3060-E8	221	1,970.75
30 x 72"	HHBW-3072-M8	227	1,554.00	HHBW-3072-E8	245	2,030.03
30 x 96"	HHBW-3096-M8*	311	2,126.99	HHBW-3096-E8*	329	2,543.78
30 x 120"	HHBW-30120-M8*	359	2,307.16	HHBW-30120-E8*	377	2,723.95
36 x 48"	HHBW-3648-M8	194	1,485.38	HHBW-3648-E8	212	1,961.41
36 x 60"	HHBW-3660-M8	222	1,562.24	HHBW-3660-E8	240	2,039.45
36 x 72"	HHBW-3672-M8	249	1,632.92	HHBW-3672-E8	267	2,110.14
36 x 96"	HHBW-3696-M8*	341	2,235.16	HHBW-3696-E8*	359	2,651.95
36 x 120"	HHBW-36120-M8*	394	2,372.73	HHBW-36120-E8*	412	2,789.52

*Benches 96" or longer have 3 legs and 6 cylinders.
Electric
E8=8" adjustment E12=12" adjustment E16=16" adjustment
Manual
M8=8" adjustment M12=12" adjustment M16=16" adjustment
Height Adjustment (Add No. to Product No.)
-M12 For Manual 12" adjustment. Add \$16.35
-E12 For Electric 12" adjustment. Add \$16.35
-M16 For Manual 16" adjustment. Add \$31.61
-E16 For Electric 16" adjustment. Add \$31.61
(For Manual or Electric 16" adjustment on benches 96" or longer. Add \$50.14)