

# Giant Open Hopper MAGNUM Bins



QMS743



QMS543

## MAGNUM



QMS533



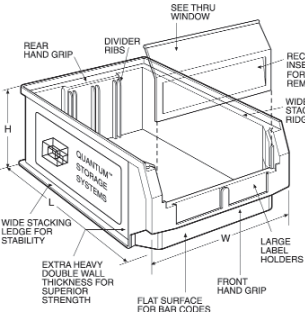
QMS532



QMS531

### MAGNUM Bins -- The Toughest Bins in the Business

Heavy duty, extra strong injection molded, high density polyethylene bins are ideal for transportation and storage of large and heavy parts. Open hopper front allows immediate access and visibility. Ribbed reinforced walls ensure extra strength. Double wall thickness with preformed lip allows bin to interlock and provides up to 150 lbs. stack capacity. Transport these bins easily with rear molded handle. Molded in label slot. Impervious to most solvents, corrosion, rust and rot resistant. Resists temperatures from -40°F to 250°F. Optional window maximizes storage and prevents spillage. Available in Blue, Yellow, Green, Red and Black.



MODEL NO.	OUTSIDE DIMENSIONS L" x W" x H"	INSIDE DIMENSIONS L" x W" x H"	CTN		CTN		CTN		CTN	
			QTY	WGT	DIVIDERS	QTY	WINDOWS	QTY		
QMS531	19-3/4" x 12-3/8" x 5-7/8"	17-3/4" x 11-1/4" x 5-1/8"	6	19 lbs	DMS531	6	WMS531	6		
QMS532	19-3/4" x 12-3/8" x 7-7/8"	17-3/4" x 11-1/4" x 7-1/4"	6	23 lbs	DMS532	6	WMS532	6		
QMS533	19-3/4" x 12-3/8" x 11-7/8"	17-3/4" x 11-1/4" x 11"	3	15 lbs	DMS533	3	WMS533	3		
QMS543	19-3/4" x 18-3/8" x 11-7/8"	17-3/4" x 17-1/4" x 11"	1	8 lbs	DMS543	1	WMS543	1		
QMS743*	29" x 18-3/8" x 11-7/8"	26-3/4" x 17-1/4" x 11"	1	10 lbs						
QMS843MOB*	29" x 18-3/8" x 14-7/8"	26-3/4" x 17-1/4" x 11"	1	14 lbs						

\*Includes heavy duty spread bar for extra strength and support.



### PERFORMANCE FEATURES AT A GLANCE:

- Available in 5 sizes and 5 colors (Blue, Yellow, Green, Red, and Black) for inventory control and color code efficiency
- These heavy duty containers are injection molded from high density polyethylene and are ideal for storage and transport of large parts
- Extra heavy, double wall thickness with interlock preformed lips allow containers to stack securely

**Fastest Shipping**  
IN THE INDUSTRY

**new**



### Plastic Dollies

DLY-3018 Dolly with Padded Rubber Ledge, available in Blue. 1,000 lbs. capacity. Interior Dimensions 24"L x 16-3/4"W. Exterior Dimensions 30"L x 18"W

MODEL NO.	DESCRIPTION	CTN WGT
DLY-3018	Dolly with Padded Rubber Ledge	16 lbs.

Bins sold separately.

DLY-3018  
(bin sold separately)

### Mobile MAGNUM Bin

- Bin comes with 2 swivel and 2 swivel with brake 3" casters allowing for 300 lb. mobile capacity
- Bins can stack on each other with casters in place



QMS843MOB

QMS743 and QMS843MOB includes heavy duty spread bar for extra strength and support.