

Fig. 260SS

Adjustable Clevis Hanger

Size Range: 1/2" through 12"

Material: 304 stainless steel

Service: Recommended for the suspension of stationary pipe lines.

Maximum Temperature: 650° F

Approvals: Complies with Federal Specification A-A-1192A (Type 1), WW-H-171-E (Type 1), ANSI/MSS SP-69 and MSS SP-58 (Type 1).

Installation: Hanger load nut *above* clevis must be tightened securely to assure proper hanger performance.

Adjustment: Vertical adjustment without removing pipe may be made from 3/8" through 5 1/8", varying with the size of clevis. Tighten upper nut after adjustment.

Features:

- Design has yoke on outside of lower U-strap so yoke cannot slide toward center of bolt, thus bending of bolt is minimized.
- Sizes 5" and up have rod and two nuts instead of bolt and nut; thread length on clevis rod is such that the thread locks the nuts in place, and threads are not in shear plane.

Ordering: Specify pipe size, figure number and name.

Notes: Punched forming holes may be present on certain sizes of this clevis hanger. These holes are solely for the purpose of manufacturing, and do not effect the structural integrity or load carrying capacities of these hangers. For insulated line options without shields, see Figures 260 ISS and Figure 300. For ductile iron pipe sizes, see Figure 590SS.

Caution: When an oversize clevis is used, a pipe spacer or multispaceer should be placed over clevis bolt to ensure that the lower U-strap will not move in on the bolt.

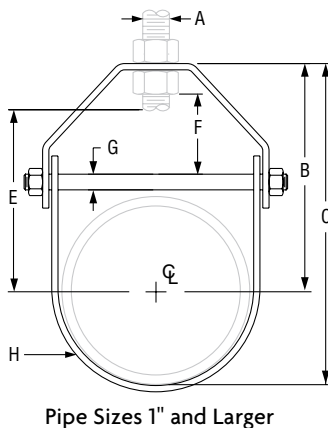
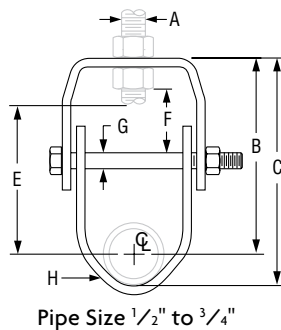
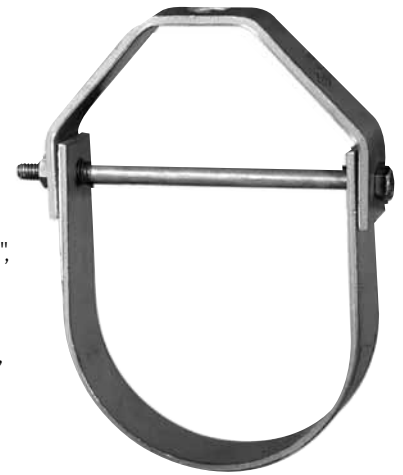


FIG. 260SS: LOADS (LBS) • WEIGHTS (LBS) • DIMENSIONS (IN)

Pipe Size	Max Load		Weight	Rod Size A	B	C	Rod Take Out E	Adjust. F	G	H Width Lower		
	450° F	650° F										
1/2	520	470	0.34	3/8	2 3/16	2 1/16	1 1/2	5/8	1/4	1		
3/4			0.34		2		1 5/16					
1			0.35		3		1 5/8					
1 1/4			0.40		3 3/4	1 11/16						
1 1/2			0.45		2 1/8	7/8						
2			0.50		4 1/2	2 5/8	1 1/8					
2 1/2	960	865	0.65	1/2	4 1/16	5 1/2	3 3/16	1 5/16	3/8			
3			0.85		4 3/4		6 1/2				4 1/16	1 5/8
4	1,215	1,095	1.51	5/8	5 9/16	7 13/16	4 1/2	1 11/16	3/8	1 3/16		
5			1.70		6 9/16		8 15/16				5 1/2	1 15/16
6			1,650		1,485		3.10				3/4	6 15/16
8			1,700	1,530	4.75	8 3/8	12 11/16	7 3/16	2			
10			1,750	1,575	8.60	7/8	9 7/8	15 1/4	8 7/16	2 1/8		1 3/4
12			1,850	1,665	11.20		11 9/16	17 15/16	10 1/8		2 13/16	

"Span" represents the maximum recommended distance between hangers on a continuous and straight run of horizontal standard weight steel pipe filled with water. In all cases, verify that chosen location of hangers does not subject hangers to a load greater than the maximum recommended load shown above. *Indicates that span represents the maximum span for water filled pipe as given in Table 1 of page 249.