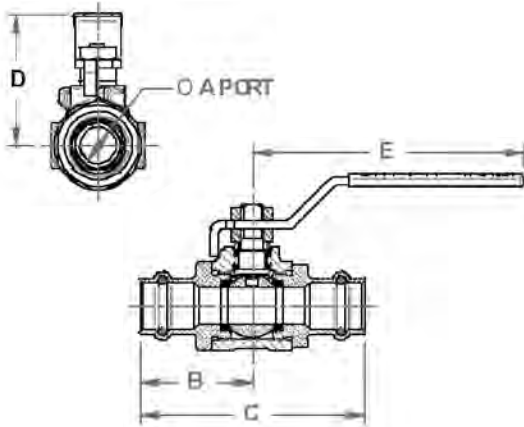


# BALL VALVES

## APOLLOXPRESS™ Ball Valves

### 77W SERIES



### APOLLOXPRESS™ BRONZE FULL PORT BALL VALVES

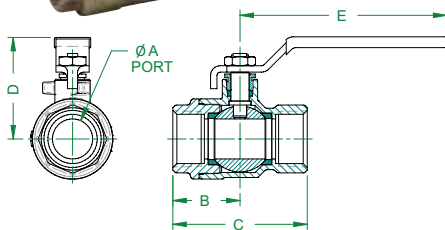
Apollo 77W Series APOLLOXPRESS™ ball valves install in seconds, but the valve and the connection are made to last. Ideal for most plumbing and heating systems including potable water. Not for use with natural gas.

#### FEATURES

- Full port
- Ridgid® "XL" Press Tool compatible
- Leak Before Press® technology
- MSS SP-110 ball valves
- NSF 61-8 (2010) compliant
- Adjustable stem packing
- 250 CWP, non-shock to 250°F max.
- Excellent for hydronic heating (90% glycol max)
- Compatible with most 77C Series options
- Made in the USA
- **Lead Free** option (77WLF)

| Model Number | LF Model Number | Size (in.) | Dimensions (in.) |      |      |      |      | Wt. |
|--------------|-----------------|------------|------------------|------|------|------|------|-----|
|              |                 |            | A                | B    | C    | D    | E    |     |
| 77W-103-01   | 77WLF-103-01    | 1/2        | 0.50             | 1.54 | 3.08 | 1.50 | 3.74 | 0.6 |
| 77W-104-01   | 77WLF-104-01    | 3/4        | 0.75             | 1.78 | 3.55 | 2.01 | 4.78 | 1.1 |
| 77W-105-01   | 77WLF-105-01    | 1          | 1.00             | 1.93 | 3.86 | 2.20 | 4.78 | 1.8 |
| 77W-106-01   | 77WLF-106-01    | 1-1/4      | 1.25             | 2.44 | 4.87 | 3.13 | 7.04 | 4.3 |
| 77W-107-01   | 77WLF-107-01    | 1-1/2      | 1.50             | 2.91 | 5.81 | 3.10 | 7.04 | 4.6 |
| 77W-108-01   | 77WLF-108-01    | 2          | 2.00             | 3.74 | 7.47 | 3.48 | 7.04 | 8.2 |

### 77F/77FLF SERIES



### FULL PORT THREADED BRASS BALL VALVES

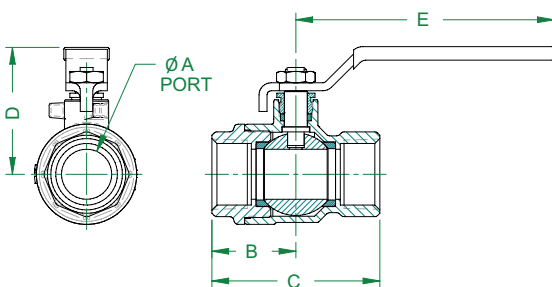
The Apollo 77F Series is a full port forged brass ball valve suitable for a wide range of plumbing and heating applications. These NPT threaded, 2-piece valves combine reliable operation with maximum economy. Valves include most pertinent agency approvals. Proudly Made in the USA.

#### FEATURES

- Lead Free\* Materials and Approvals
- Heavy Pattern Forged Design
- Full-Port Flow
- Superior RPTFE Seats and Packing
- Adjustable Stem Packing
- Blow-Out Proof Stem
- Corrosion Resistant Materials
- 100% Factory Tested
- Silicone Free Assembly
- Made in USA, ARRA Compliant

| Model Number | LF Model Number | Size (in.) | Dimensions (in.) |      |      |      |       | Wt.  |
|--------------|-----------------|------------|------------------|------|------|------|-------|------|
|              |                 |            | A                | B    | C    | D    | E     |      |
| 77F10101     | 77FLF-101-01    | 1/4"       | 0.38             | 0.81 | 1.62 | 1.61 | 2.85  | 0.3  |
| 77F10201     | 77FLF-102-01    | 3/8"       | 0.38             | 0.85 | 1.70 | 1.61 | 2.85  | 0.3  |
| 77F10301     | 77FLF-103-01    | 1/2"       | 0.50             | 1.14 | 2.25 | 1.66 | 2.85  | 0.5  |
| 77F10401     | 77FLF-104-01    | 3/4"       | 0.75             | 1.26 | 2.51 | 1.91 | 3.86  | 0.8  |
| 77F10501     | 77FLF-105-01    | 1"         | 1.00             | 1.60 | 3.20 | 2.11 | 3.86  | 1.3  |
| 77F10601     | 77FLF-106-01    | 1-1/4"     | 1.25             | 1.73 | 3.46 | 2.44 | 4.75  | 2.1  |
| 77F10701     | 77FLF-107-01    | 1-1/2"     | 1.50             | 2.00 | 4.00 | 2.91 | 5.42  | 3.2  |
| 77F10801     | 77FLF-108-01    | 2"         | 2.00             | 2.37 | 4.47 | 3.69 | 7.77  | 5.6  |
| 77F-109-01   | —               | 2-1/2"     | 2.50             | 2.99 | 5.98 | 4.14 | 7.77  | 12.8 |
| 77F-100-01   | —               | 3"         | 3.00             | 3.52 | 7.05 | 5.03 | 9.92  | 19.7 |
| 77F-10A-01   | —               | 4"         | 4.00             | 3.83 | 7.65 | 5.70 | 14.78 | 25.5 |

Large Diameter



For additional information, submittal sheets and manuals, visit [www.apollovalves.com](http://www.apollovalves.com)

Customer Service (704) 841-6000

REV. 9/10/13