

# Model 88

## Lightning and Secondary Surge Protection



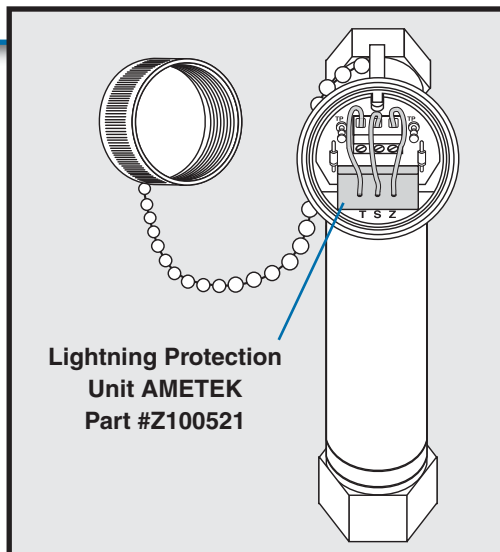
### Description

These low-cost lightning protection units are easy to install in the head of the transmitter. If an unexpected lightning or secondary surge should occur on the power/signal line, the unit will clamp the lines, preventing any excessive voltage from damaging the transmitter. This saves you the cost of down-time and replacement.

The lightning protection units are completely maintenance-free. They are for use on our Model 88 4 to 20 mA Transmitters, up to 40 VDC line to line and either line to ground. Protection is provided between red and green, black and green, and red and black wires. Either polarity of surge is equally clamped.

### Features

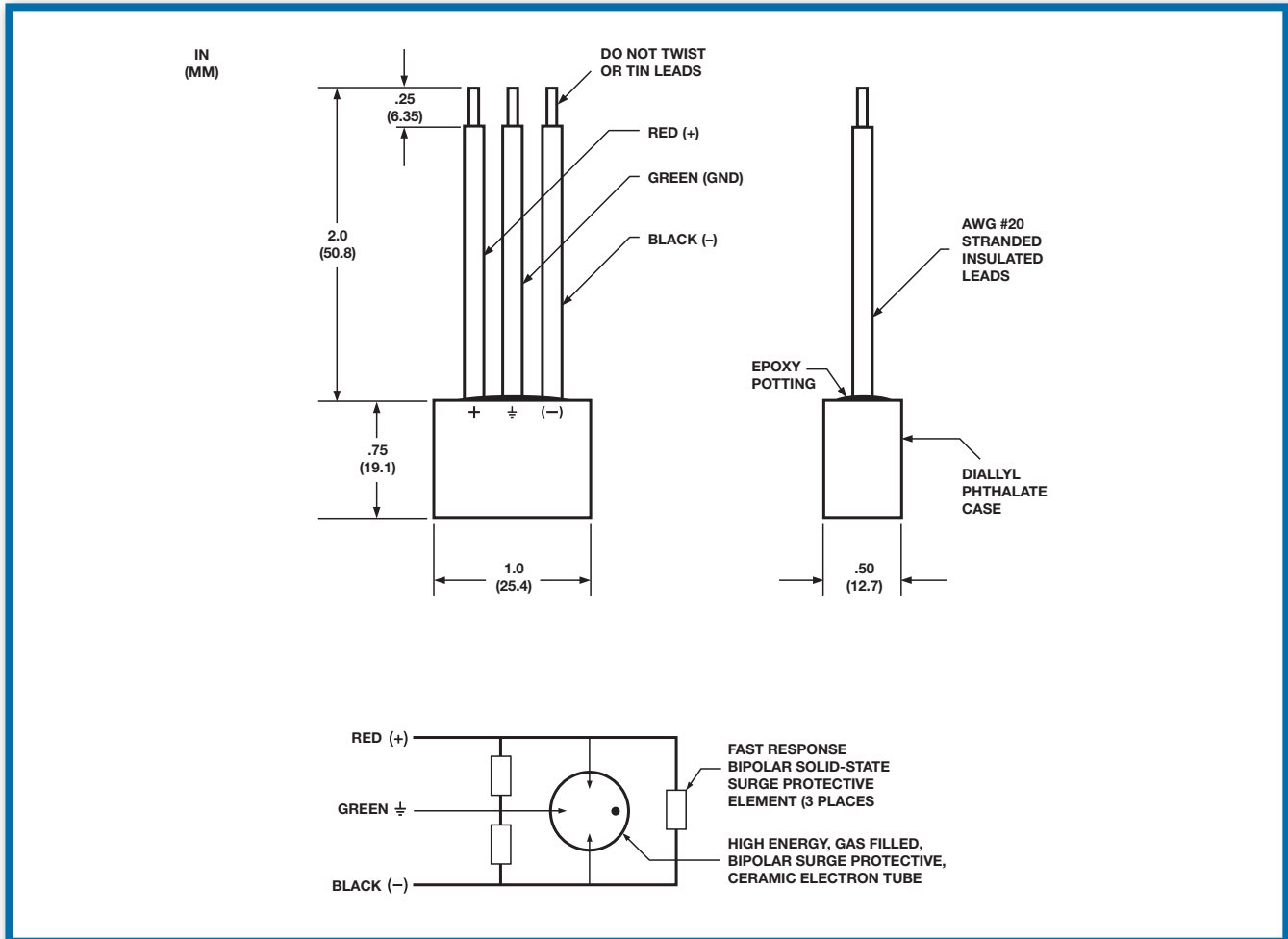
- Protection for Model 88 Transmitters
- Nanosecond, bipolar response
- Powerful surge protection
- Small, compact size
- New or existing installation
- Enhances system integrity
- Reduces downtime
- Maintenance free



This or any installation cannot protect against a direct lightning strike or secondary strikes of sufficient magnitude. AMETEK cannot accept responsibility for damage due to lightning or secondary surges. Proper installation including grounding require detailed installation drawing. Consult factory for #AK796334 .

# Model 88 Lightning and Secondary Surge Protection

## Dimensions



## Specifications

### Surge Current Rating:

- 30,000 amperes on 8x20  $\mu$ s wave

### Response Time:

- Less than 1 nanosecond

### Leakage

- Very low (in the microampere range)

## Performance

| Surge Current   | Clamping Voltage,<br>Line to Line,<br>Line to Ground              |
|-----------------|---|
| .001 amp        | 60V   |
| .01 amp         | 68V   |
| .1 amp          | 68V   |
| 1 to 10,000 amp | 68 V initially, then<br>drop to 30V arcing<br>voltage of gas tube |

To order please use Part No. Z100521  
(includes kit plus instruction sheet).