

Fig. 152

Screw Concrete Insert

Size Range: 3/8" through 7/8"

Material: Malleable iron

Finish: Plain

Service: Upper attachment for suspending pipe from a concrete ceiling where no lateral adjustment is required.

Approvals: UL, ULC Listed and FM Approved.

Features:

- Eliminates the necessity of drilling holes in wooden forms.
- Reduced overall height and four slots for nail attachment gives stability to the insert while the concrete is being poured.

Ordering: Specify rod size, figure number and name.

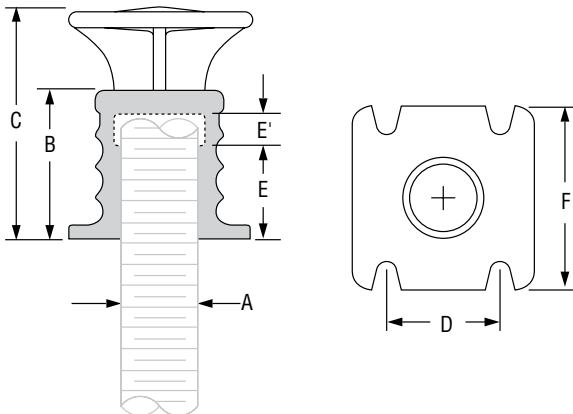


FIG. 152: LOAD (LBS) • WEIGHT (LBS) • DIMENSIONS (IN)

Rod Size A	Max Load ■	Weight	B	C	D	E	E'	F
3/8	730	0.31	1 1/32	2 1/4	1	1/2	3/8	1 5/8
1/2	1,130	0.32				5/8		
5/8	1,260	0.37	1 7/32			1 5/8	2 1/2	1 1/4
3/4	2,500	0.64	1 5/8	1	3/8			
7/8		0.71						

■ Based on insert only. Rating is subject to the condition that the concrete used is of sufficient strength to hold the insert.

- Table of Contents
- General Notes
- Copper Tubing Hangers
- Stainless Steel Hangers
- CPVC Pipe Hangers
- Pipe Rings
- Clevis Hangers
- Steel Pipe Clamps
- Socket Clamps
- Beam Clamps
- Structural Attachments
- Brackets
- Ceiling Plates & Flanges
- Concrete Inserts & Attachments
- Hanger Rods
- Rod Attachments
- Bolts, Nuts, Pins & U-Bolts