

E-Vision 7000 WXGA White

7,000 ANSI Lumens | Contrast Ratio: 2,400:1 (Dynamic Black) 1,000:1 native | Part No:112-205

E-Vision 7000 Series Digital Projectors

DIGITAL  **PROJECTION****Colour System:**

4 Segment RGWB Colour Wheel for maximum brightness.
6 Segment RGBCMY Colour Wheel for optimised colourimetry - user swappable.

DMD Specification:

1280 x 800 pixels native.
Fast transit pixels for smooth greyscale and improved contrast.

Aspect Ratio:

16x10

Display Type:

1 x 0.65" DarkChip™ DMD™

Fill Factor

87%

Key Features

Video & Graphics Processing

- BrilliantColor™ for increased system brightness.
- DynamicBlack™ for improved black levels in dark scenes.
- Frame sequential 3D support at up to 120Hz with support for DLP® Link™ glasses synchronisation only.
- Independent control of hue, saturation and gain for primary and secondary colours.
- The projector automatically detects interlaced video and implements 3:2 or 2:2 extraction as appropriate, with pixel based, motion adaptive interpolation and auto cadence correction.
- Image enhancement for MPEG, Mosquito noise & Colour Transients in composite sources.

Geometry Correction

- Vertical keystone correction.

Source Compatibility:

Graphics standards up to 1600 x 1200 resolution at 60Hz via DVI or VGA.
DVI single link with HDCP compliance.
Component Video (SD and HD) via YPrPb, RGB or RGBS.
S-Video (PAL, NTSC & SECAM)
Composite Video (PAL, NTSC & SECAM)

Inputs/Outputs

Video & Computer			Communication & Control		
Type	Connector	Qty	Type	Connector	Qty
DVI-D - Single Link DVI	DVI	1	LAN	RJ45	1
VGA / Analog RGB In	15-pin D-Sub	1	RS232	9-pin D Sub	1
VGA / Analog RGB Out	15-pin D-Sub	1	12V Trigger	3.5mm Stereo Jack	1
Component Video	3 x RCA	1	Service Port	USB Type B	1
Component Video	5 x BNC	1			
S-Video	4-pin Mini DIN	1			
Composite Video	RCA	1			
Audio					
DVI Audio In	3.5mm Mini Jack	1			
VGA Audio In	3.5mm Mini Jack	1			
VGA Audio Out	3.5mm Mini Jack	1			
Component Video Audio In	2 x RCA Phono	1			
RGBHV Audio In	3.5mm Mini Jack	1			
Shared S-Video/Composite Video Audio In	2 x RCA Phono	1			

3D Formats Supported	HDTV Formats Supported
Frame Sequential	1080p (24Hz, 25Hz, 30Hz, 50Hz, 60Hz), 1080i (50Hz, 60Hz), 720p (50, 60Hz)

Computer Compatibility	Bandwidth
Up to 1600 x 1200	165 MHz on analog RGB 165 Megapixels per second on DVI

Remote Control	Automation Control
IR Remote Control On-Board keypad	RS232 PJLink

Colour Temperature
6000K

Lamp Type	Typical Lamp Life
2 x 280W High Intensity Discharge	Full Power: 2000 hours (up to 4000 hours in lamp sequential mode) Eco Mode : 3000 hours (up to 6000 hours in lamp sequential mode)

Lenses			
Lens	Part No.	Focus Range	Lens Shift
0.8 :1 fixed	112-499	0.81m - 5.08m	none
0.78 - 0.99 :1 zoom	115-339	1.02m - 12.7m	Vert: 0.5 (U) 0 (D) frame, Hor: 0.1(L) 0.1 (R) frame
1.31 - 1.88 :1 zoom	112-500	1.33m - 11.73m	Vert: 0.5 (U) 0 (D) frame, Hor: 0.1(L) 0.1 (R) frame
1.8 - 2.38 :1 zoom	112-501	1.83m - 14.9m	Vert: 0.5 (U) 0 (D) frame, Hor: 0.1(L) 0.1 (R) frame
2.32 - 3.89 :1 zoom	112-502	2.36m - 24.2m	Vert: 0.5 (U) 0 (D) frame, Hor: 0.1(L) 0.1 (R) frame
3.74 - 5.67 :1 zoom	112-503	3.8m - 35.35m	Vert: 0.5 (U) 0 (D) frame, Hor: 0.1(L) 0.1 (R) frame
5.53 - 8.74 :1 zoom	112-504	5.59m - 54.8m	Vert: 0.5 (U) 0 (D) frame, Hor: 0.1(L) 0.1 (R) frame

Lens Mount
Motorised shift, zoom and focus.

Mechanical Mounting	Orientation
Front/Rear Table Front/Rear Ceiling Adjustable Front/Rear Feet	Table Top or Inverted: Yes Pointing Up: Yes Pointing Down: Yes Roll (Portrait): +/-10° from horizontal

Power Requirements	Power Consumption
100-240VAC 50/60Hz single phase	715W

Thermal Dissipation	Fan Noise
2440 BTU/Hour	39 dBA, Eco 34dBA

Operating/Storage Temperature

Operating: 5 to 40C (41 to 104F)
Storage: -10 to 60C (14 to 140F)

Operating Humidity

5% to 90% non-condensing

Weight (Chassis Only)

20.5 kg
45.2 lb

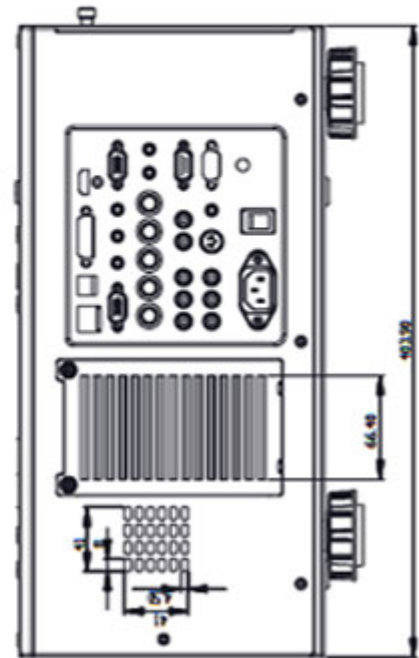
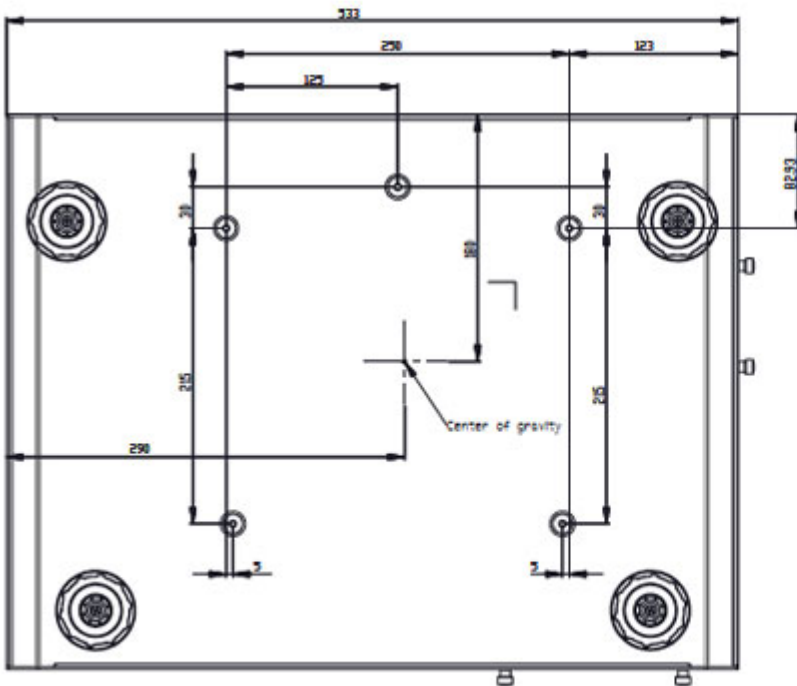
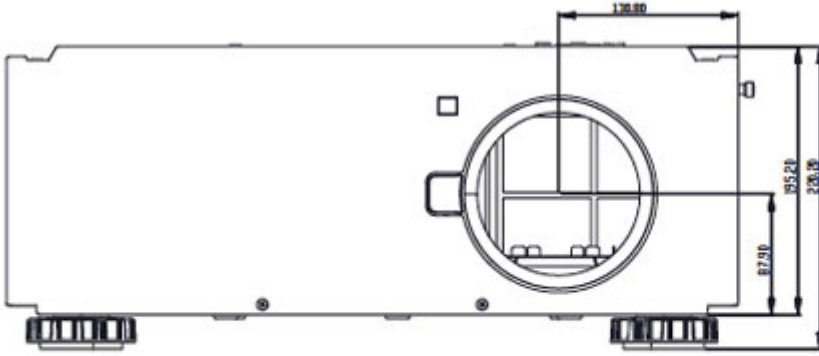
Dimensions

L: 55.3 cm W: 40.4cm H: 22 cm
L: 21 in W: 15.9 in H: 8.7 in

Safety & EMC Regulations

CE, CB, FCC Class A, UL, CCC

**Dimensions included for reference only and are subject to change. Please download the full set of CAD files for this display for more accurate information.*



Downloads

[PDF CAD Drawings](#)

[User Guides](#)

[AUTOCAD Drawings](#)

[Important Information](#)

Specifications subject to change without notice. Digital Projection version: 1.3 - 20-Jun-13 ©2012 Digital Projection.
DLP®, Digital Light Processing™ and DMD are trademarks of Texas Instruments, Inc

DIGITAL PROJECTION, INC 55 CHASTAIN ROAD, SUITE 115 KENNESAW, GA. 30144
T: 770.420.1350 | F: 770.420.1360 | www.digitalprojection.com

DIGITAL PROJECTION, LTD GREENSIDE WAY, MIDDLETON MANCHESTER, UK. M24 1XX
T: +44.161.947.3300 | F: +44.161.684.7674 | www.digitalprojection.co.uk

DIGITAL PROJECTION, CHINA TOWER C, RM C1202, CAI FU JIA YUAN, NO. 19 XIAO YING STREET, CHAOYANG DISTRICT BEIJING,
PR CHINA 100101
T: +86.10.58239771 | F: +86 10 58239770

DIGITAL PROJECTION, ASIA 16 NEW INDUSTRIAL ROAD, #02-10 HUDSON TECHNOCENTRE SINGAPORE 536204
T: +65.6284.1138 | F: +65.6284.1238