

## dVision 30-WUXGA-XC

2,900 ANSI Lumens | Contrast Ratio: 7,500:1 | Part No:108-706

### dVision Series Digital Projectors



<b>Colour System:</b> 6 Segment RGBRGB Colour Wheel	<b>DMD Specification:</b> 1920 x 1200 pixels native. Fast transit pixels for smooth greyscale and improved contrast.
<b>Display Type:</b> 1 x 0.95" DarkChip™ DMD™	<b>Aspect Ratio:</b> 16x10 <b>Fill Factor</b> 87%

### Key Features

#### Video & Graphics Processing

- Auto mode selection - plug and play setup
- 10-bit color resolution
- HDMI 1.3a and dual link DVI digital inputs
- Full 10-bit deinterlacer with integral scaler

#### ColorMax™

- User Selection and storage of Primary and Secondary colour targets.

#### Source Compatibility:

HDTV  
NTSC  
PAL  
SECAM

### Inputs/Outputs

Video & Computer			Communication & Control		
Type	Connector	Qty	Type	Connector	Qty
DVI-D - Single Link DVI	DVI	1	LAN	RJ45	1
HDMI 1.3	HDMI	1	RS232	9-pin D Sub	2
VGA / Analog RGB	15-pin D-Sub	1	Service Port	USB Type B	1
Component Video	5 x BNC	1	Wired Remote In	3.5mm Stereo Jack	1
Component Video	YPbPr	1	Wired Remote Out	3.5mm Stereo Jack	1
S-Video	4-pin Mini DIN	1	12V Trigger	3.5mm Stereo Jack	2
Composite Video	RCA	1			

3D Formats Supported	HDTV Formats Supported
----------------------	------------------------

Not applicable	1080p (24Hz, 25Hz, 30Hz, 50Hz, 60Hz), 1080i (50Hz, 60Hz), 720p (50, 60Hz)
----------------	---

Computer Compatibility	Bandwidth
------------------------	-----------

Up to 1920 x 1200	205 MHz on analog RGB 160 MHz on DVI 75 MHz on Component
-------------------	--

Remote Control	Automation Control
----------------	--------------------

Addressable IR remote control, wireless and wired with loop-through. On-Board keypad	RS232 LAN
---	--------------

Colour Temperature
--------------------

User selectable from 3200 to 9000K
------------------------------------

Lamp Type	Typical Lamp Life
-----------	-------------------

2 x 300 watt UHP VID1 lamp	Full Power: 2000 hours  Eco Mode : 2500 hours
----------------------------	---

Lenses
--------

Lens	Part No.	Focus Range	Lens Shift
0.79: 1 fixed HB	104-083	.5m - 5m	Vert: 0.04 (U) 0.04 (D) frame, Hor: 0.02 (L) 0.02 (R) frame
1.16: 1 fixed HB	104-084	1.5m - 15m	Vert: 0.67 (U) 0.67 (D) frame, Hor: 0.34 (L) 0.34 (R) frame
1.24- 1.6: 1 zoom HB	104-085	1m - 15m	Vert: 0.67 (U) 0.67 (D) frame, Hor: 0.34 (L) 0.34 (R) frame
1.6- 2.32: 1 zoom HB	104-086	2m - 15m	Vert: 0.67 (U) 0.67 (D) frame, Hor: 0.34 (L) 0.34 (R) frame
2.37- 3.79: 1 zoom HB	104-087	3m - 30m	Vert: 0.67 (U) 0.67 (D) frame, Hor: 0.34 (L) 0.34 (R) frame
3.8- 6.5: 1 zoom HB	104-088	4m - 40m	Vert: 0.67 (U) 0.67 (D) frame, Hor: 0.34 (L) 0.34 (R) frame
0.92: 1 fixed HB	110-810	1m - 10m	Vert: 0.33 (U) 0.33 (D) frame, Hor: 0.15 (L) 0.15 (R) frame
0.75- 1.13: 1 zoom HB	112-540	1m - 10m	Vert: 0.17 (U) 0.17 (D) frame, Hor: 0.07 (L) 0.07 (R) frame
0.75- 1.13: 1 zoom HB	112-539	5m - 30m	Vert: 0.17 (U) 0.17 (D) frame, Hor: 0.07 (L) 0.07 (R) frame

Lens Mount
------------

Motorised shift, zoom and focus.
----------------------------------

Mechanical Mounting	Orientation
---------------------	-------------

Front/Rear Table Front/Rear Ceiling Adjustable Front/Rear Feet	<b>Table Top or Inverted:</b> Yes <b>Pointing Up:</b> Yes <b>Pointing Down:</b> Yes <b>Roll (Portrait):</b> No
--	---

Power Requirements	Power Consumption
--------------------	-------------------

100-240 VAC, 50/60Hz	1050W
----------------------	-------

Thermal Dissipation	Fan Noise
---------------------	-----------

2900 BTU/Hour	40.9dBA
---------------	---------

Operating/Storage Temperature	Operating Humidity
-------------------------------	--------------------

Operating: 10° to 40° C	20% to 80% RH
Storage: -20° - 60° C	

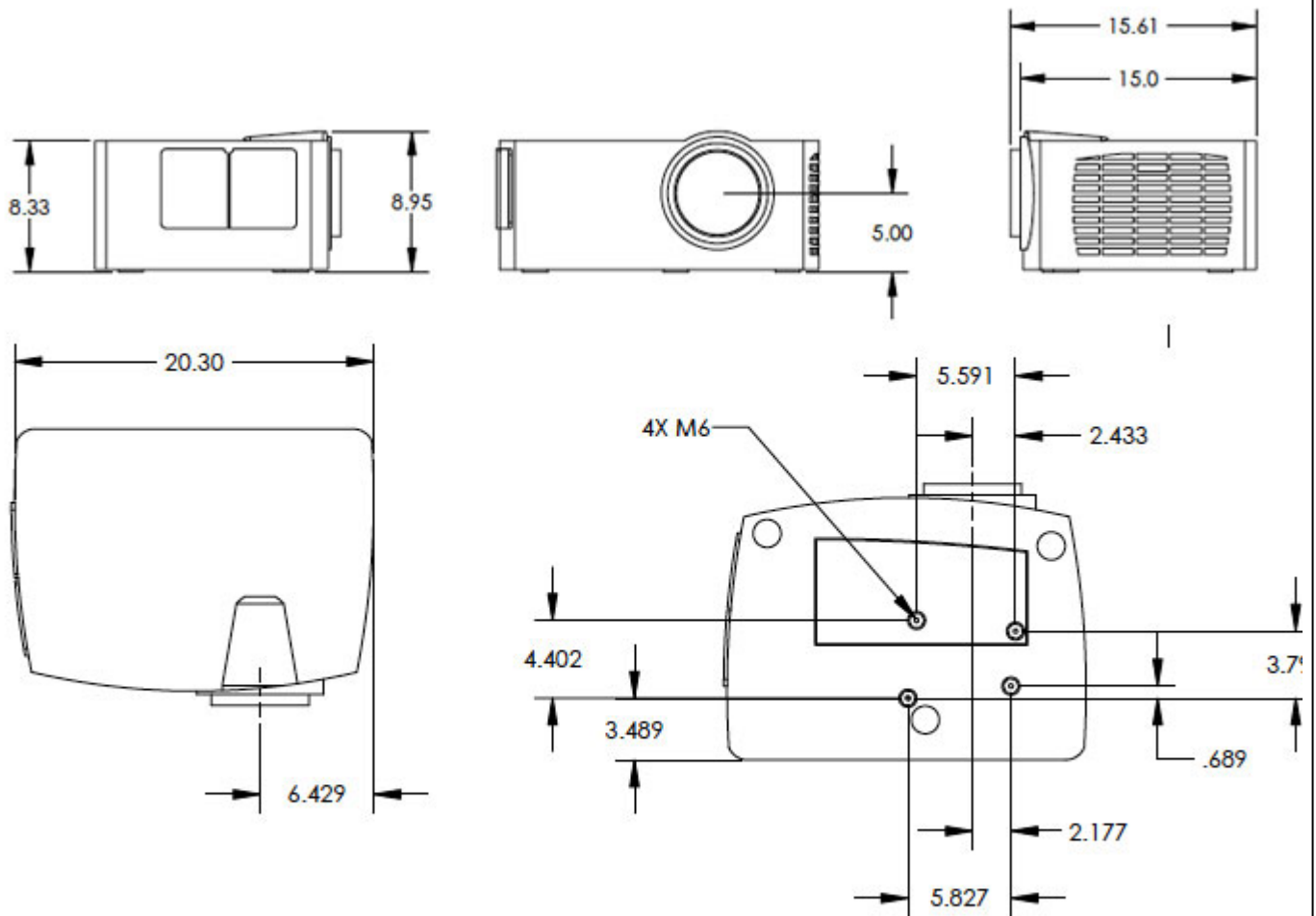
Weight (Chassis Only)	Dimensions
-----------------------	------------

12.6 kg 27.8 lb	W1 20.1 H1 8.8 L1 14.8 (inches) W1 510.5 H1 223.5 L1 376 (mm)
--------------------	--

Safety & EMC Regulations
--------------------------

CE, FCC Class A and cCSAus
----------------------------

*\*Dimensions included for reference only and are subject to change. Please download the full set of CAD files for this display for more accurate information.*



## Downloads

[PDF CAD Drawings](#)

[User Guides](#)

[AUTOCAD Drawings](#)

[Important Information](#)

Specifications subject to change without notice. Digital Projection version: 1.1 - 18-Jul-13 ©2012 Digital Projection.  
DLP®, Digital Light Processing™ and DMD are trademarks of Texas Instruments, Inc

**DIGITAL PROJECTION, INC** 55 CHASTAIN ROAD, SUITE 115 KENNESAW, GA. 30144  
T: 770.420.1350 | F: 770.420.1360 | [www.digitalprojection.com](http://www.digitalprojection.com)

**DIGITAL PROJECTION, LTD** GREENSIDE WAY, MIDDLETON MANCHESTER, UK. M24 1XX  
T: +44.161.947.3300 | F: +44.161.684.7674 | [www.digitalprojection.co.uk](http://www.digitalprojection.co.uk)

**DIGITAL PROJECTION, CHINA** TOWER C, RM C1202, CAI FU JIA YUAN, NO. 19 XIAO YING STREET, CHAOYANG DISTRICT BEIJING, PR CHINA 100101  
T: +86.10.58239771 | F: +86 10 58239770

**DIGITAL PROJECTION, ASIA** 16 NEW INDUSTRIAL ROAD, #02-10 HUDSON TECHNOCENTRE SINGAPORE 536204  
T: +65.6284.1138 | F: +65.6284.1238