

E-Vision 4500 1080p 3D

4,000 ANSI Lumens | Contrast Ratio: 2,000:1 | Part No:115-131

E-Vision 4500 Series Digital Projectors

DIGITAL  **PROJECTION**

Colour System: 5-segment RYGBW Color Wheel	DMD Specification: 1920 x 1080 pixels native. Fast transit pixels for smooth greyscale and improved contrast.
Display Type: 1 x 0.65" DarkChip™ DMD™	Aspect Ratio: 16x9 Fill Factor 87%

Key Features

Video & Graphics Processing

- HDMI 1.4 for Side by Side, Frame Packing & Top Bottom Formats.
- Dual Flash Processing can be used to multiply the displayed frame rate for 3D sources (example 144Hz display).
- Synchronisation of active glasses, DLP® Link™ glasses or polarising switcher.
- BrilliantColor™ for increased system brightness.
- Independent control of hue, saturation and gain for primary and secondary colors.
- High Bandwidth Digital & Analog Receiver with 10 Bit A-D.
- The projector automatically detects interlaced video and implements 3:2 or 2:2 extraction as appropriate, with pixel based, motion adaptive interpolation and auto cadence correction.
- 24p and 1080p native display.

Geometry Correction

- Vertical keystone correction.

Source Compatibility:

HDMI including Deep Color™ processing and 3D standards.

DVI with HDCP compliance.

Graphics standards up to 1920 x 1200 resolution at 60Hz via HDMI, DVI, DisplayPort or VGA.

Component Video (SD and HD) via YPrPb, RGBHV, RGB or RGBS.

S-Video (PAL, NTSC & SECAM)

Composite Video (PAL, NTSC & SECAM)

Inputs/Outputs

Video & Computer			Communication & Control		
Type	Connector	Qty	Type	Connector	Qty
HDMI 1.4	HDMI	1	LAN	RJ45	1
DVI-D	DVI	1	RS232	9-pin D Sub	1
DisplayPort	DisplayPort	1	Wired Remote	3.5mm Stereo Jack	1
VGA / Analog RGB In	15-pin D-Sub	2	12V Trigger	3.5mm Stereo Jack	1
VGA / Analog RGB Out	15-pin D-Sub	1	Service Port	USB Type B	1
Component Video	5 x BNC	1	1.5A USB charge	USB Type A	1
Component Video	3 x RCA	1	3D Sync Out	VESA 3-pin	1
S-Video	4-pin Mini DIN	1			
Composite Video	RCA	1			
Audio					
VGA Audio In	3.5mm Mini Jack	2			
VGA Audio Out	3.5mm Mini Jack	1			
Component Audio Out	2 x RCA Phono	1			
S-Video/Composite Audio In	2 x RCA Phono	1			

3D Formats Supported	HDTV Formats Supported
Frame Sequential Top and Bottom Side By Side (half) Frame Packing	1080p (24Hz, 25Hz, 30Hz, 50Hz, 60Hz), 1080i (50Hz, 60Hz), 720p (50, 60Hz)

Computer Compatibility	Bandwidth
Up to 1920 x 1200	165 MHz on analog RGB 165 Megapixels per second on HDMI and DVI

Remote Control	Automation Control
IR remote control, wireless and wired. On-Board keypad	RS232 LAN

Colour Temperature
User selectable

Lamp Type	Typical Lamp Life
370W High Intensity Discharge	Full Power: 1500 hours Eco Mode : 2000 hours

Lenses			
Lens	Part No.	Focus Range	Lens Shift
0.77: 1 fixed	114-785	0.4m - 3.1m	Vert: 0.55 (U) 0.15 (D) frame, Hor: 0.05 (L) 0.05 (R) frame
1.54 - 1.93: 1 zoom	114-783	0.95m - 11.9m	Vert: 0.55 (U) 0.15 (D) frame, Hor: 0.05 (L) 0.05 (R) frame
1.93 - 2.91: 1 zoom	114-784	1.2m - 29.8m	Vert: 0.55 (U) 0.15 (D) frame, Hor: 0.05 (L) 0.05 (R) frame

Lens Mount
Manual shift, zoom & focus.

Mechanical Mounting	Orientation
Front/Rear Table Front/Rear Ceiling Adjustable Front/Rear Feet	Table Top or Inverted: Yes Pointing Up: No Pointing Down: No Roll (Portrait): +/-10° from horizontal

Power Requirements	Power Consumption
100-240VAC 50/60Hz single phase	450W

Thermal Dissipation	Fan Noise
1415 BTU/Hour	42 dBA, Eco 37 dBA

Operating/Storage Temperature	Operating Humidity
Operating: 5 to 35C (41 to 95F) Storage: -10 to 60C (14 to 140F)	10 to 85% non-condensing

Weight (Chassis Only)	Dimensions

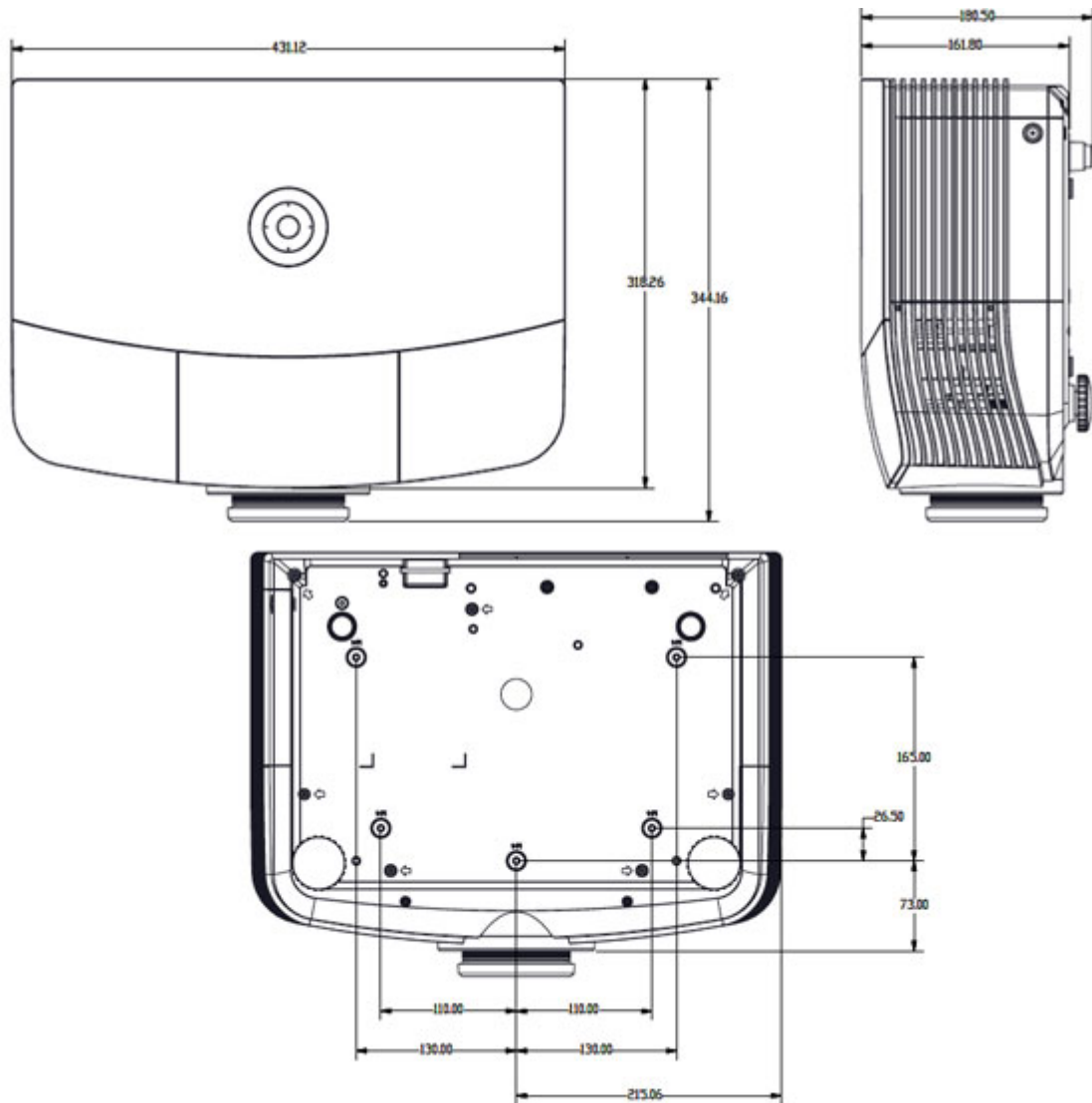
8.6 kg
19 lb

L: 34.4 cm W: 43.1 cm H: 18.1 cm
L: 13.55 in W: 16.97 in H: 7.13 in

Safety & EMC Regulations

FCC Class B, cUL, UL, CE, C-tick, CCC, KC, CB, PCT

**Dimensions included for reference only and are subject to change. Please download the full set of CAD files for this display for more accurate information.*



Downloads

[PDF CAD Drawings](#)

[User Guides](#)

[AUTOCAD Drawings](#)

[Important Information](#)

Specifications subject to change without notice. Digital Projection version: 1.1 - 29-Nov-12 ©2012 Digital Projection. DLP®, Digital Light Processing™ and DMD are trademarks of Texas Instruments, Inc

DIGITAL PROJECTION, INC 55 CHASTAIN ROAD, SUITE 115 KENNESAW, GA. 30144
T: 770.420.1350 | F: 770.420.1360 | www.digitalprojection.com

DIGITAL PROJECTION, LTD GREENSIDE WAY, MIDDLETON MANCHESTER, UK. M24 1XX
T: +44.161.947.3300 | F: +44.161.684.7674 | www.digitalprojection.co.uk

DIGITAL PROJECTION, CHINA TOWER C, RM C1202, CAI FU JIA YUAN, NO. 19 XIAO YING STREET, CHAOYANG DISTRICT BEIJING, PR CHINA 100101
T: +86.10.58239771 | F: +86 10 58239770

DIGITAL PROJECTION, ASIA 16 NEW INDUSTRIAL ROAD, #02-10 HUDSON TECHNOCENTRE SINGAPORE 536204

T: +65.6284.1138 | F: +65.6284.1238