

## E-Vision 4500 WUXGA 3D

4,000 ANSI Lumens | Contrast Ratio: 2,000:1 | Part No:114-782

### E-Vision 4500 Series Digital Projectors

**DIGITAL**  **PROJECTION**

<b>Colour System:</b> 5-segment RYGBW Color Wheel	<b>DMD Specification:</b> 1920 x 1200 pixels native. Fast transit pixels for smooth greyscale and improved contrast.
<b>Display Type:</b> 1 x 0.67" DarkChip™ DMD™	<b>Aspect Ratio:</b> 16x10 <b>Fill Factor</b> 87%

### Key Features

#### Video & Graphics Processing

- HDMI 1.4 for Side by Side, Frame Packing & Top Bottom Formats.
- Dual Flash Processing can be used to multiply the displayed frame rate for 3D sources (example 144Hz display).
- Synchronisation of active glasses, DLP® Link™ glasses or polarising switcher.
- BrilliantColor™ for increased system brightness.
- Independent control of hue, saturation and gain for primary and secondary colors.
- High Bandwidth Digital & Analog Receiver with 10 Bit A-D.
- The projector automatically detects interlaced video and implements 3:2 or 2:2 extraction as appropriate, with pixel based, motion adaptive interpolation and auto cadence correction.
- 24p and 1080p native display.

#### Geometry Correction

- Vertical keystone correction.

#### Source Compatibility:

HDMI including Deep Color™ processing and 3D standards.

DVI with HDCP compliance.

Graphics standards up to 1920 x 1200 resolution at 60Hz via HDMI, DVI, DisplayPort or VGA.

Component Video (SD and HD) via YPrPb, RGBHV, RGB or RGBS.

S-Video (PAL, NTSC & SECAM)

Composite Video (PAL, NTSC & SECAM)

## Inputs/Outputs

Video & Computer			Communication & Control		
Type	Connector	Qty	Type	Connector	Qty
HDMI 1.4	HDMI	1	LAN	RJ45	1
DVI-D	DVI	1	RS232	9-pin D Sub	1
DisplayPort	DisplayPort	1	Wired Remote	3.5mm Stereo Jack	1
VGA / Analog RGB In	15-pin D-Sub	2	12V Trigger	3.5mm Stereo Jack	1
VGA / Analog RGB Out	15-pin D-Sub	1	Service Port	USB Type B	1
Component Video	5 x BNC	1	1.5A USB charge	USB Type A	1
Component Video	3 x RCA	1	3D Sync Out	VESA 3-pin	1
S-Video	4-pin Mini DIN	1			
Composite Video	RCA	1			
<b>Audio</b>					
VGA Audio In	3.5mm Mini Jack	2			
VGA Audio Out	3.5mm Mini Jack	1			
Component Audio Out	2 x RCA Phono	1			
S-Video/Composite Audio In	2 x RCA Phono	1			
<b>3D Formats Supported</b>			<b>HDTV Formats Supported</b>		
Frame Sequential Top and Bottom Side By Side (half) Frame Packing			1080p (24Hz, 25Hz, 30Hz, 50Hz, 60Hz), 1080i (50Hz, 60Hz), 720p (50, 60Hz)		
<b>Computer Compatibility</b>			<b>Bandwidth</b>		
Up to 1920 x 1200			165 MHz on analog RGB 165 Megapixels per second on HDMI and DVI		
<b>Remote Control</b>			<b>Automation Control</b>		
IR remote control, wireless and wired. On-Board keypad			RS232 LAN		
<b>Colour Temperature</b>					
User selectable					
<b>Lamp Type</b>			<b>Typical Lamp Life</b>		
370W High Intensity Discharge			Full Power: 1500 hours Eco Mode : 2000 hours		
<b>Lenses</b>					
<b>Lens</b>	<b>Part No.</b>	<b>Focus Range</b>	<b>Lens Shift</b>		
0.77: 1 fixed	114-785	0.4m - 3.1m	Vert: 0.55 (U) 0.15 (D) frame, Hor: 0.05 (L) 0.05 (R) frame		
1.54 - 1.93: 1 zoom	114-783	0.95m - 11.9m	Vert: 0.55 (U) 0.15 (D) frame, Hor: 0.05 (L) 0.05 (R) frame		
1.93 - 2.91: 1 zoom	114-784	1.2m - 29.8m	Vert: 0.55 (U) 0.15 (D) frame, Hor: 0.05 (L) 0.05 (R) frame		
<b>Lens Mount</b>					
Manual shift, zoom & focus.					
<b>Mechanical Mounting</b>			<b>Orientation</b>		
Front/Rear Table Front/Rear Ceiling Adjustable Front/Rear Feet			<b>Table Top or Inverted:</b> Yes <b>Pointing Up:</b> No <b>Pointing Down:</b> No <b>Roll (Portrait):</b> +/-10° from horizontal		
<b>Power Requirements</b>			<b>Power Consumption</b>		
100-240VAC 50/60Hz single phase			450W		
<b>Thermal Dissipation</b>			<b>Fan Noise</b>		
1415 BTU/Hour			42 dBA, Eco 37 dBA		
<b>Operating/Storage Temperature</b>			<b>Operating Humidity</b>		
Operating: 5 to 35C (41 to 95F) Storage: -10 to 60C (14 to 140F)			10 to 85% non-condensing		
<b>Weight (Chassis Only)</b>			<b>Dimensions</b>		

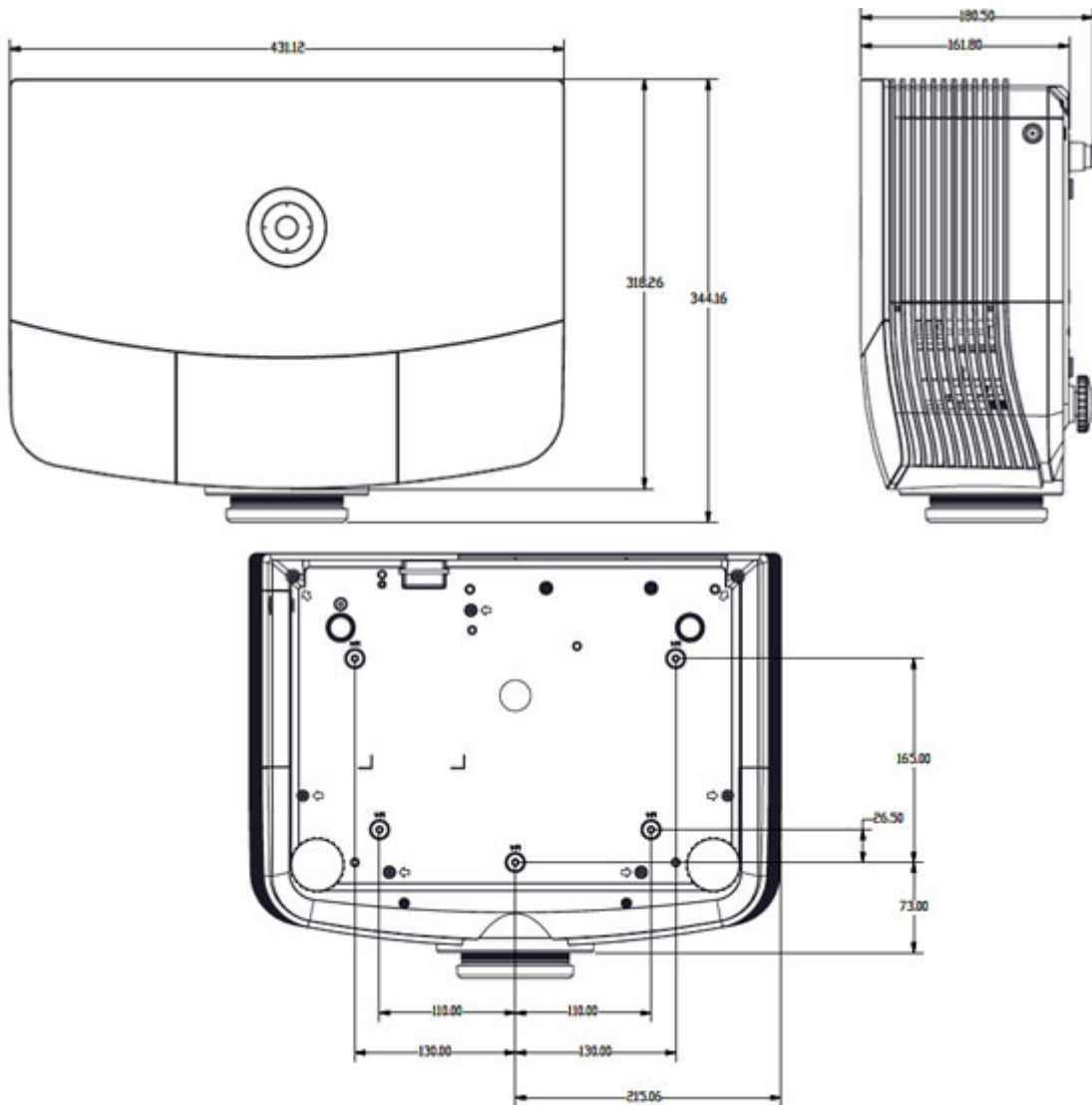
8.6 kg  
19 lb

L: 34.4 cm W: 43.1 cm H: 18.1 cm  
L: 13.55 in W: 16.97 in H: 7.13 in

### Safety & EMC Regulations

FCC Class B, cUL, UL, CE, C-tick, CCC, KC, CB, PCT

*\*Dimensions included for reference only and are subject to change. Please download the full set of CAD files for this display for more accurate information.*



### Downloads

[PDF CAD Drawings](#)

[User Guides](#)

[AUTOCAD Drawings](#)

[Important Information](#)

Specifications subject to change without notice. Digital Projection version: 1.1 - 29-Nov-12 ©2012 Digital Projection. DLP®, Digital Light Processing™ and DMD are trademarks of Texas Instruments, Inc

**DIGITAL PROJECTION, INC** 55 CHASTAIN ROAD, SUITE 115 KENNESAW, GA. 30144  
T: 770.420.1350 | F: 770.420.1360 | [www.digitalprojection.com](http://www.digitalprojection.com)

**DIGITAL PROJECTION, LTD** GREENSIDE WAY, MIDDLETON MANCHESTER, UK. M24 1XX  
T: +44.161.947.3300 | F: +44.161.684.7674 | [www.digitalprojection.co.uk](http://www.digitalprojection.co.uk)

**DIGITAL PROJECTION, CHINA** TOWER C, RM C1202, CAI FU JIA YUAN, NO. 19 XIAO YING STREET, CHAOYANG DISTRICT BEIJING, PR CHINA 100101  
T: +86.10.58239771 | F: +86 10 58239770

DIGITAL PROJECTION, ASIA 16 NEW INDUSTRIAL ROAD, #02-10 HUDSON TECHNOCENTRE SINGAPORE 536204

T: +65.6284.1138 | F: +65.6284.1238