

E-Vision 8000 1080p

8,000 ANSI Lumens | Contrast Ratio: 2,400:1 (Dynamic Black) 1,000:1 native | Part No:112-340

**Colour System:**

6 Segment RYGCWB Colour Wheel for maximum brightness.
6 Segment RGBCMY Colour Wheel for optimised colourimetry - user swappable.

DMD Specification:

1920 x 1080 pixels native.
Fast transit pixels for smooth greyscale and improved contrast.

Display Type:

1 x 0.65" DarkChip™ DMD™

Aspect Ratio:

16x9

Fill Factor

87%

Key Features

Video & Graphics Processing

- High Bandwidth Digital & Analog Receiver with 10 Bit A-D.
- 3GSDI with loop-through.
- The projector automatically detects interlaced video and implements 3:2 or 2:2 extraction as appropriate, with pixel based, motion adaptive interpolation and auto cadence correction.
- 24p and 1080p native display.
- Image enhancement for MPEG, Mosquito noise & Colour Transients in composite sources.

Geometry Correction

- Cornerstone, Vertical & Horizontal Keystone, Pincushion & Barrel, and Image Rotation.
- Blanking control for custom input window sizing.

Edge Blending

- Correction for non-active pixels at the edge of the display.

Picture in Picture

- Two sources can be displayed either one within the other (PIP), or side by side with original aspect ratios maintained.

Source Compatibility:

3GSDI is SMPTE 292M, SMPTE 259M-C and SMPTE 424M compliant.
HDMI including Deep Color™ processing.
Graphics standards up to 1920 x 1200 resolution at 60Hz via DVI, HDMI or VGA.
DVI single link with HDCP compliance.
Component Video (SD and HD) via YPrPb, RGBHV, RGB or RGBS.
S-Video (PAL, NTSC & SECAM)
Composite Video (PAL, NTSC & SECAM)

Inputs/Outputs

Video & Computer			Communication & Control		
Type	Connector	Qty	Type	Connector	Qty
DVI-D - Single Link DVI	DVI	1	LAN	RJ45	1
HDMI 1.3	HDMI	1	RS232	9-pin D Sub	1
3G-SDI in	BNC	1	Wired Remote	3.5mm Stereo Jack	1
3G-SDI out	BNC	1	12V Trigger	3.5mm Stereo Jack	1
VGA / Analog RGB	15-pin D-Sub	1			
Component Video	5 x BNC	1			
S-Video	4-pin Mini DIN	1			
Composite Video	RCA	1			

3D Formats Supported	HDTV Formats Supported
Not applicable	1080p (24Hz, 25Hz, 30Hz, 50Hz, 60Hz), 1080i (50Hz, 60Hz), 720p (50, 60Hz)

Computer Compatibility	Bandwidth
Up to 1920 x 1200	165 MHz on analog RGB 165 Megapixels per second on HDMI and DVI

Remote Control	Automation Control
Addressable IR remote control, wireless and wired. On-Board keypad	RS232 LAN

Colour Temperature
User selectable from 5000 to 9300K

Lamp Type	Typical Lamp Life
2 x 400W High Intensity Discharge	Full Power: 1500 hours (up to 3000 hours in lamp sequential mode) Eco Mode : 2000 hours (up to 4000 hours in lamp sequential mode)

Lenses			
Lens	Part No.	Focus Range	Lens Shift
0.76 :1 fixed	112-499	0.81m - 5.08m	none
0.75 - 0.93 :1 zoom	115-339	1.02m - 12.7m	Vert: 0.5 (U) 0 (D) frame, Hor: 0.1(L) 0.1 (R) frame
1.24 - 1.79 :1 zoom	112-500	1.33m - 11.73m	Vert: 0.5 (U) 0 (D) frame, Hor: 0.1(L) 0.1 (R) frame
1.71 - 2.27 :1 zoom	112-501	1.83m - 14.9m	Vert: 0.5 (U) 0 (D) frame, Hor: 0.1(L) 0.1 (R) frame
2.21 - 3.69 :1 zoom	112-502	2.36m - 24.2m	Vert: 0.5 (U) 0 (D) frame, Hor: 0.1(L) 0.1 (R) frame
3.56 - 5.39 :1 zoom	112-503	3.8m - 35.35m	Vert: 0.5 (U) 0 (D) frame, Hor: 0.1(L) 0.1 (R) frame
5.25 - 8.31 :1 zoom	112-504	5.59m - 54.8m	Vert: 0.5 (U) 0 (D) frame, Hor: 0.1(L) 0.1 (R) frame

Lens Mount
Motorised and programmable shift, zoom and focus. Intelligent Lens Memory with 10 user-definable preset positions.

Mechanical Mounting	Orientation
Front/Rear Table Front/Rear Ceiling Adjustable Front/Rear Feet	Table Top or Inverted: Yes Pointing Up: Yes Pointing Down: Yes Roll (Portrait): +/-10° from horizontal

Power Requirements	Power Consumption
100-240VAC 50/60Hz single phase	995W

Thermal Dissipation	Fan Noise
3485 BTU/Hour	43 dBA, Eco 39dBA

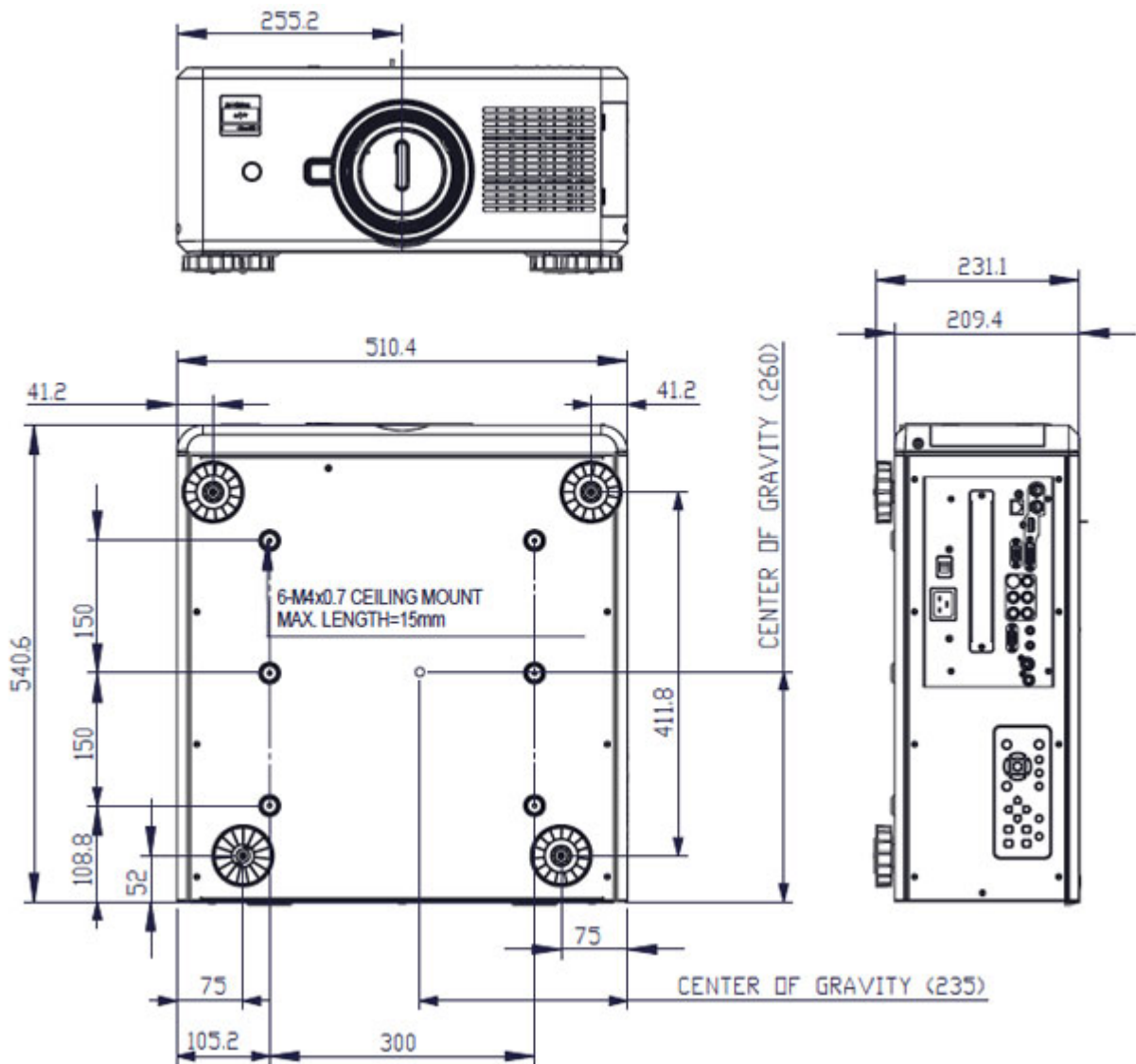
Operating/Storage Temperature	Operating Humidity
Operating: 0 to 40C (32 to 104F) Storage: -5 to 45C (23 to 113F)	10 to 95% non-condensing

Weight (Chassis Only)	Dimensions
24 kg 52.9 lb	L: 54.1 cm W: 51 cm H: 23.1 cm L: 21.3 in W: 20.08 in H: 9.1 in

Safety & EMC Regulations

CE, FCC Class B, UL, CCC

**Dimensions included for reference only and are subject to change. Please download the full set of CAD files for this display for more accurate information.*



Downloads

[PDF CAD Drawings](#)

[User Guides](#)

[AUTOCAD Drawings](#)

[Important Information](#)

Specifications subject to change without notice. Digital Projection version: 1.1 - 29-Nov-12 ©2012 Digital Projection. DLP®, Digital Light Processing™ and DMD are trademarks of Texas Instruments, Inc

DIGITAL PROJECTION, INC 55 CHASTAIN ROAD, SUITE 115 KENNESAW, GA. 30144
T: 770.420.1350 | F: 770.420.1360 | www.digitalprojection.com

DIGITAL PROJECTION, LTD GREENSIDE WAY, MIDDLETON MANCHESTER, UK. M24 1XX
T: +44.161.947.3300 | F: +44.161.684.7674 | www.digitalprojection.co.uk

DIGITAL PROJECTION, CHINA TOWER C, RM C1202, CAI FU JIA YUAN, NO. 19 XIAO YING STREET, CHAOYANG DISTRICT BEIJING, PR CHINA 100101
T: +86.10.58239771 | F: +86 10 58239770

DIGITAL PROJECTION, ASIA 16 NEW INDUSTRIAL ROAD, #02-10 HUDSON TECHNOCENTRE SINGAPORE 536204
T: +65.6284.1138 | F: +65.6284.1238