



CRANE

Composites

SANIGRID® II

Fiberglass Ceiling Grid System

***Snaps Together Quickly and Easily,
Saving Time and Money***



MOISTURE RESISTANT

Engineered to resist moisture in high humidity and chemical environments; it will not rust, pit, dent or peel like metal grid system.

EASY TO INSTALL

A series of pre-notched main tees and cross members to lock the grid together enables the entire system to snap together quickly for fast installation.

OPTIONS

Standard size options are available to meet your next interior ceiling configuration. Sanigrid II works best with **GLASBORD** FRP ceiling panels, engineered for lay-in ceiling applications to prevent sagging. Glasbord panels are the only FRP panels with the exclusive *Surfaseal* finish.

APPLICATIONS

- Food Processing
- Chemical Processing
- Refrigerated Warehouses
- Commercial Kitchens
- Restrooms

INDUSTRIES

- Hospitals
- Laboratories
- Processing Plants
- Restaurants



SANIGRID® II

Fiberglass Ceiling Grid System

PRODUCT SPECS

Available Sizes

Ceiling Configuration 2' x 2' | 2' x 4'

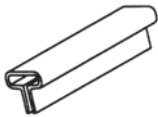
Fire Ratings

Class A per ASTM E-84

Sanigrad II Grid System Parts



Wall Anchor
Cross Tee



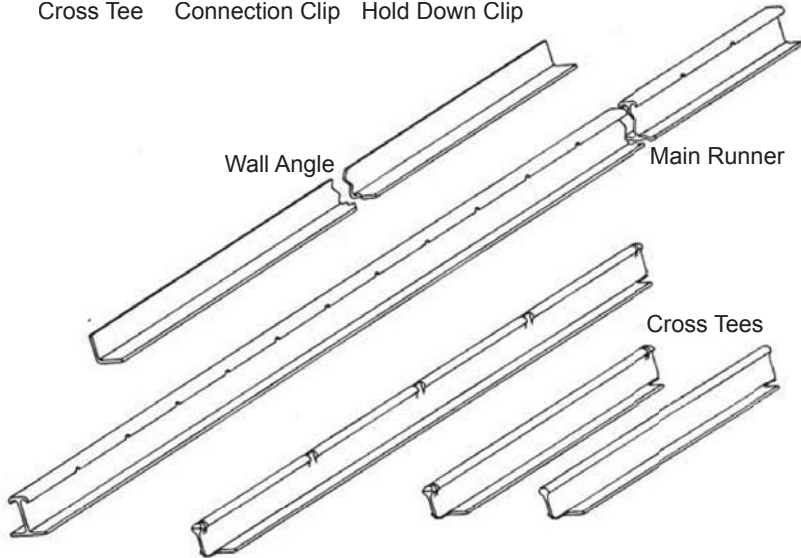
Main Runner
Connection Clip



Ceiling Panel
Hold Down Clip



Rivet



Available GLASBORD Ceiling Panels

Class C per ASTM E-84

0.10" Pebbled Embossed | CGI

0.075" Pebbled Smooth | PSIF

Class A per ASTM E-84

0.09" Pebbled Embossed | FXE (Factory Mutual)*

0.10" | 0.12" Pebbled Embossed | FX

Kemply Laminated Panels | ACP

*Fire-X Glasbord (FXE and FSFM) is the only fiberglass reinforced interior wall and ceiling panel that is accepted under Factory Mutual Research approved FRP, Plastic Interior Finish Materials when installed in accordance with Factory Mutual Research Approval Standard 4880. This information is available at www.approvalguide.com and www.FRP.com/FMAApproved.pdf.

www.sanigrad.com

1.800.435.0080 1.815.467.8666 (fax)

salesbp@cranecomposites.com