

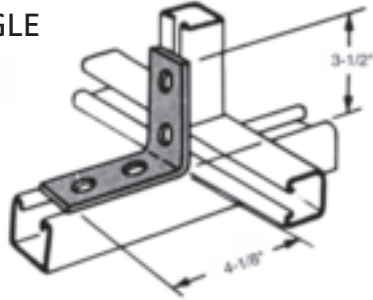
MULTI-STRUT®

ANGLE BRACKETS

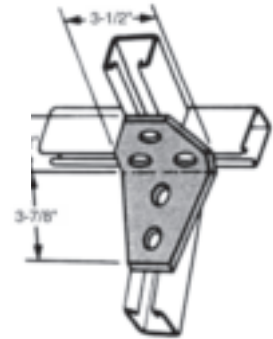
DATA:
 1/4" thick, 1 5/8" wide, holes 9/16" dia.,
 spaced 1 7/8" on center & 1 3/16" from end.

FINISH: Electro-Galvanized

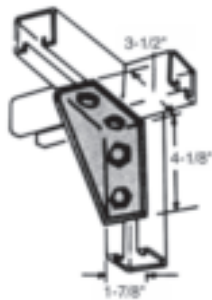
A-311
 FOUR HOLE ANGLE



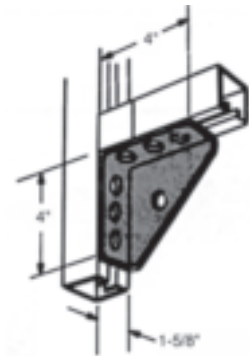
A-313
 FIVE HOLE DUPLEX
 CORNER ANGLE



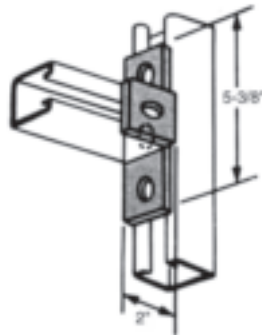
A-318-L (left hand)
A-318-R (right hand)
 SHELF BRACKET
 (right hand illustrated)



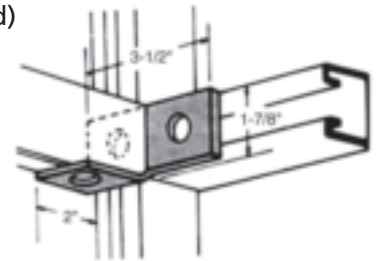
A-335
 UNIVERSAL SHELF
 BRACKET



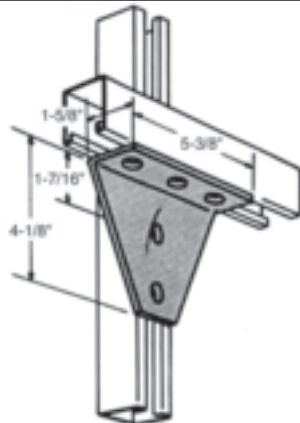
A-312
 FOUR HOLE 90°
 T-PLATE ANGLE



A-330-L (left hand)
A-330-R (right hand)
 THREE HOLE
 90° ANGLE
 (left hand illustrated)



A-314
 FIVE HOLE JOINT
 CONNECTOR
 ANGLE



A-315
A-315-1
 SLOTTED JOINT
 CONNECTOR
 ANGLE

Cat. No.	A	B
A-315	6 5/8"	4"
A-315-1	8 5/8"	6"

