

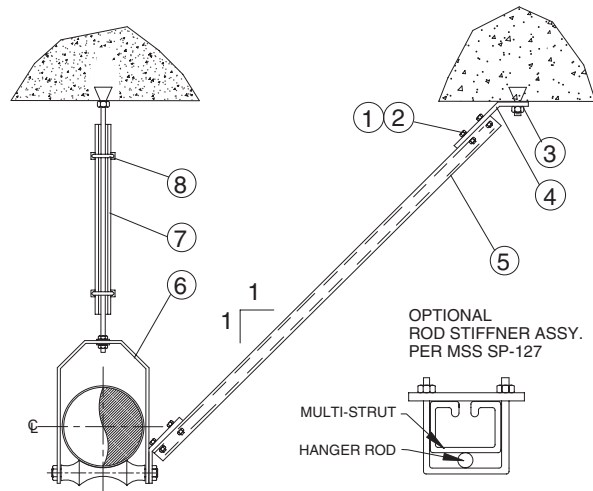
MULTI-STRUT®

SEISMIC BRACING

DETAIL SR-15

Item No.	No. Req'd.	Fig No. Part No.	Description
1	4	165H	Strut Nut
2	4	SN	Hex Head Cap Screw
3	1	KB	Wedge Anchor*
4	2	3HSB	Seismic Bracket*
5	1	MXXX	Multi-Strut Channel*
6	1	140	Harvard Roll Hanger*
7	1	M132	Multi-Strut Channel*
8	2	C402	Beam Clamp

*Size based upon application.



DETAIL SR-16

Item No.	No. Req'd.	Fig No. Part No.	Description
1	1	175	Pipe Clamp*
2	2	MXXX	Multi-Strut Channel*
3	2	C402	Beam Clamp
4	4	3HSB	Seismic Bracket*
5	8	BLT	Hex Head Bolt*
6	8	SN	Strut Nut*
7	2	KB	Wedge Anchor*
8	4	103	Washer*
9	1	M132	Multi-Strut Channel

*Size based upon application.

