

Add an FSR, Floor, Wall or Ceiling Box

Floor Boxes Match your table box with one of our elegantly constructed floor boxes. Our ADA friendly boxes provide a safe and practical approach to connecting audio, video, power, data and more.

Raised Access SmartFit™ (Poke-Thru)

The all metal construction provides one or two cable access doors, or a solid metal cover.



SmartFit™ (Poke-Thru)



FIRE RATED

FSR SmartFit is an innovative system that provides flexible power and AV solutions for fire-rated poke thru's. The SmartFit system features a universal cover assembly and multiple sub-plates that install on the fire rated poke thru and are now available in 4", 6" and 8" sizes.

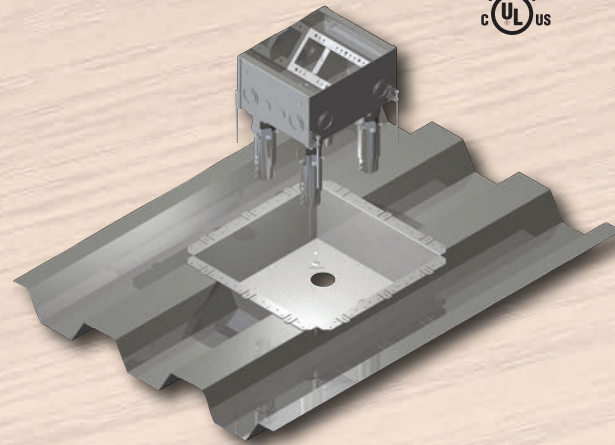
The system offers three architectural finishes: Aluminum, Brass and Black. These provide an attractive appearance with superior durability for installations with power and audio/video requirements. There are sub-plates available in the SmartFit line, including a Dual Decora and 3 IPS insert sub-plate.

Fire Resistant Kits **NEW**

FIRE RATED

Our Fire-Resistant floor solutions expand the versatility of our floor box line by providing enhanced, fire-resistant versions of our existing products.

The Fire-Resistant Kit is offered in two sizes: the FL-500P-6-FRK and FL-605P-6-FRK. Both models include a UL listed 3-hour Fire-Resistant Floor Box system comprised of a FireStop box, and four FL-FRK 1 1/2" Intumescent-lined Conduit Assemblies, hardware and installation instructions. A temporary construction cover is included to protect the floor box's interior during installation.



Wall Boxes

A new line of wall boxes to protect your wall plates and panels. Available in one to five gang sizes, with or without plexiglass windows and a standard key lock.



Ceiling Boxes

Eliminate those unsightly equipment boxes hanging off the projector poles. This allows you to conceal your equipment neatly out of sight behind a hidden door. Insert matching ceiling tiles for a finished look.



NEW

Introducing the CB-244 Series. A deeper box design houses a pull-down 4-RU rack cage, it is 12" high, and capable of carrying 25 lbs. of electronic equipment. Available in 4 versions: non-pole mount and pole-mount, both with or without "smart" electronics.

HuddleVU

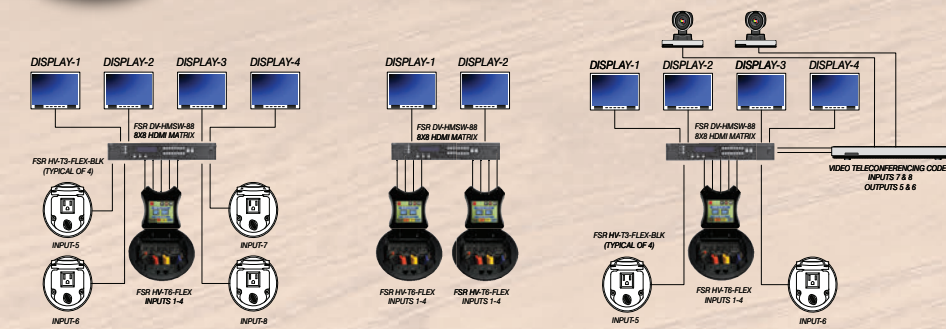
Collaboration, Interactive Learning or Huddle Stations! Whatever name you give it, students, doctors, or business professionals gather to work together on projects, perform research and review completed works. HuddleVU is the perfect solution.



HuddleVU offers several different systems to meet your requirements, and provides workspace and connections for up to 7 students or faculty members. There are AC and USB power connections and color coded HDMI cables for each user. Simply plug in and push the color coded button and the user's notebook or tablet has control of the screen. Systems are also available for 2 or 4 screens using the T6-Flex touch screen control system.



NEW



Accessories

FSR's unique and upscale table boxes meet the aesthetic demands of today's consultants, architects and clients.

The Intelligent Plate Solutions (IPS) and Simple Solution lines give you a wide variety of interconnect solutions to satisfy any AV interface application and accessorize your table boxes. Ask about our full line of accessories and discover all the possibilities.



See the FSR Wall Box Brochure for the IPS Wall Box and the In-Wall Monitor Mount.

CAD drawings of all FSR Table, Floor, and Wall Boxes are on our DVD.

Specification subject to change without notice.

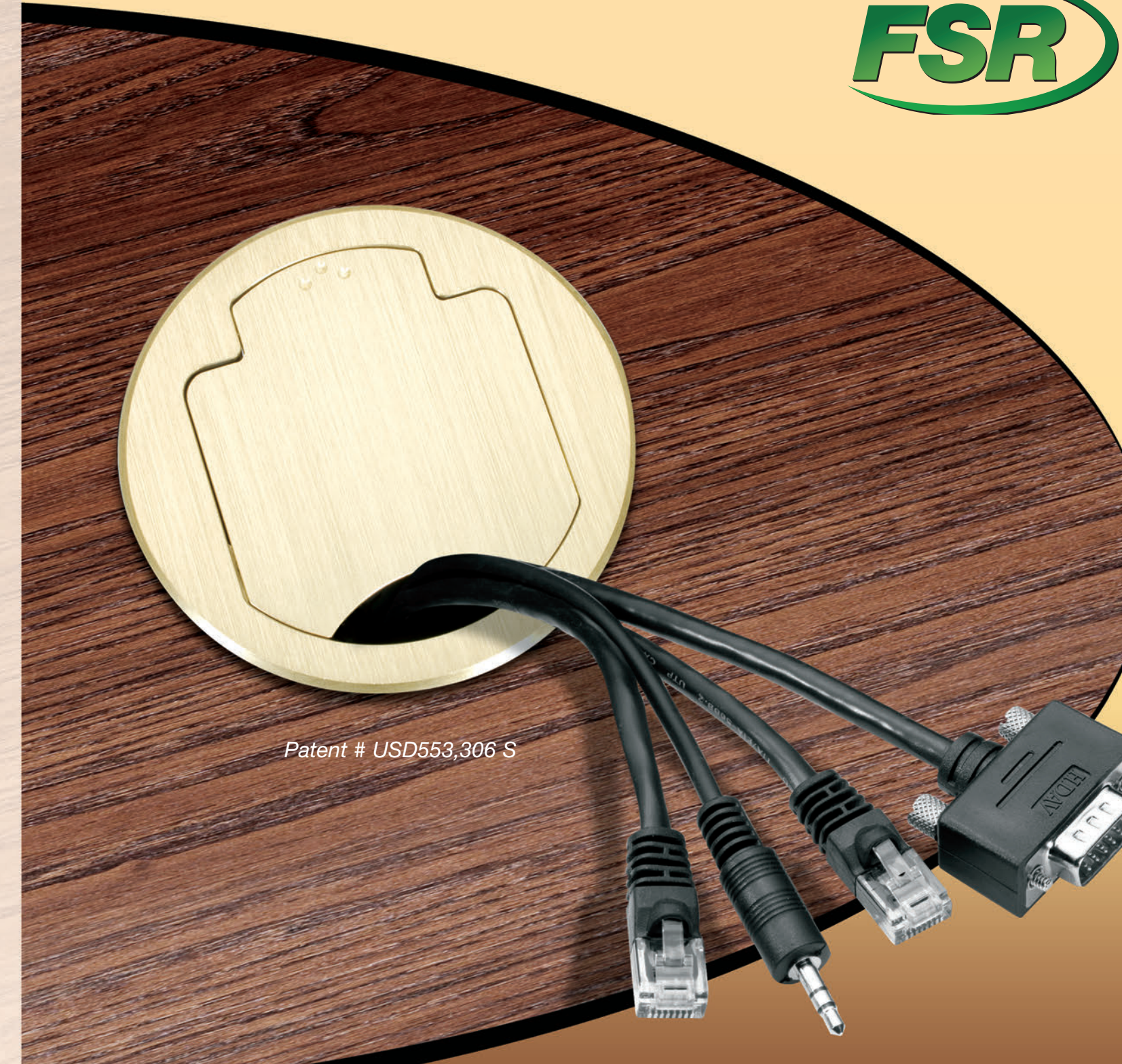


244 Bergen Boulevard · Woodland Park, NJ 07424
800.332.FSR1 · 973.785.4347 · F: 973.785.3318
W: fsrinc.com · E: sales@fsrinc.com

LIT1187F



P: 800.332.FSR1 · W: fsrinc.com · E: sales@fsrinc.com



Patent # USD553,306 S

Table Boxes

Simple, Flexible, Affordable Table Box Solutions

T3U Series Table Boxes

The T3U series of table boxes are small, elegant additions to your conference tables, lecterns, and work spaces.

Plug in your laptop, power up your projector, plug in your microphone, or access a cable for your computer, the T3U handles it gracefully and efficiently.

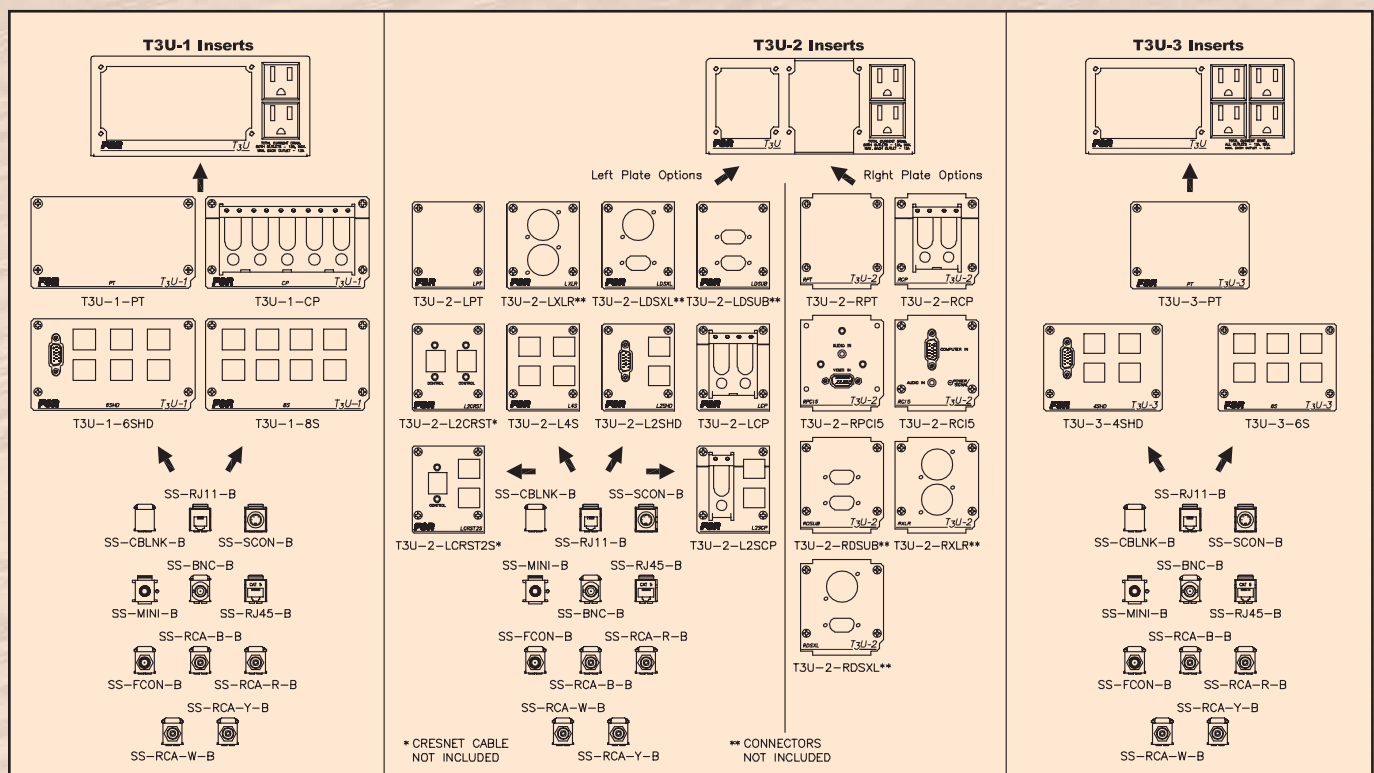
Available in a variety of finishes (black, brushed brass, brushed bronze or brushed nickel), these unique table boxes match your décor with style.

Constructed of finely finished metals, the units offer a variety of connection possibilities using interchangeable mounting plates and connectors.

All the T3U series table boxes install easily, the cover slides into the box while in use. Space several of these boxes around the table for optimum participation at your meetings. FSR has designed the T3U-3R to handle applications needing 4 AC outlets.



ORDERING INFORMATION		
MODEL	FINISH	ACCEPTS
T3U-1R	Black, Brass, Bronze, Nickel	One T3U-1 Insert
T3U-2R	Black, Brass, Bronze, Nickel	One set of T3U-2 Left and Right Insert Plates
T3U-3R	Black, Brass, Bronze, Nickel	One T3U-3 Insert Plate



Pop Up Table Boxes

Pop-Up Table Boxes are available in black or brass. These boxes pop out of your table ready to make your connection!

A simple push of your hand and the pneumatic gas spring system allows smooth lowering and raising of the box for that "high tech" look and feel.

The PTB series is available in 2, 3, and 4 gang sizes, and are supplied with 2 grounded AC receptacles on each side of the box. The PTB handles your computer interfaces, audio, video, data and control connections on both sides of the table. Add a variety of connections using standard electrical plates or the FSR line of "Simple Solutions".

FSR provides a wide variety of table boxes that are unique and upscale, meeting the aesthetic demands of today's consultants, architects and clients.



IPS Under Table Boxes

Visit us online and use our drag and drop IPS Designer to customize your Table Box!



These boxes are designed to provide easy under table connectivity without ever having to cut a hole in your table!

IPS UT models are part of the IPS (Intelligent Plate Solution) line. Choose from a large variety of connectors that accommodate any application. Mounting Hardware is included. Customizing just became standard.



T3 and T6 Series Table Boxes

The T3 and T6 series is designed to accommodate a wide range of tables and lecterns.

T3-MJ+ Table Boxes



US Patent # 6,881,080

The T3-MJ+ is the first elegant mount for a gooseneck microphone! This stylish, mini table box is available in three finishes; brass, silver or black, and in square or round style faces. Perfect for conference and boardroom tables, judicial benches, courtrooms, and more. This "through table" microphone mount accommodates Clock Audio C003 or C004 models.

US Patent # 6,881,080 B2

The T3-MJ+ is available with the option of 1 or 2 buttons that supply built-in mute function or the ability to control peripheral equipment in the room available as options. You have a choice of momentary or maintained buttons with a variety of button caps and bi-color LEDs. Additional T3-Mini boxes include the T3-CAT5, T3-CRST (designed for Crestron Block-10), T3-BDC (accepts Beyerdynamic Mic), and T3-Mini (mini XLR connector).

T6 Table Box



The T6 Table Box is a larger version of our popular "T3" Series. Three integral AC outlets (isolated), plus ample connector space for IPS plates, snap-in connectors or captive cables can all be part of this elegant table box. Close the cover and cables exit through the curved openings.

US Patent # D553,306 S

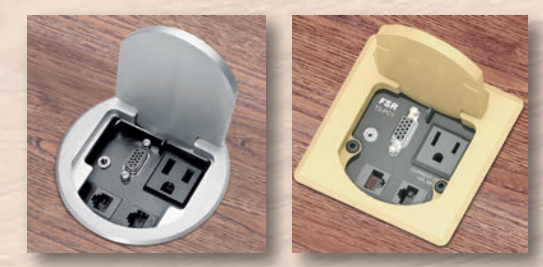
T6-FLEX Table Box



Encased in one of our elegant T6 table boxes the T6 Flex control system is a small, powerful and yet affordable solution. Perfect for nearly any installation, it features a 3.5" color LCD touchscreen and all of the connectivity needed to control the lighting, shades, and AV equipment from one central location.

T3 -PC1D & AC2 Table Boxes

The T3-PC1D is equipped with an HDMI pass-through, HD-15 male jack, 1/8" stereo mini jack and an RJ-45 jack. An integral AC outlet provides power to laptops and work stations. The T3-AC2 includes two integral AC outlets and two RJ-45 jacks. Both styles can be installed in tables that are 3/4" - 2 1/2" thick and are shipped with installation hardware.



US Patent # D553,306 S

T3 -PC1-CP & T3-AC2-CP Table Boxes

Both models allow the user to pull out the appropriate cables from the unit's compartment and connect their Laptop or PC. AC power outlets in the compartment provide an AC source for the PC and Laptop. When finished, the user returns the cables to the compartment for safe keeping.

