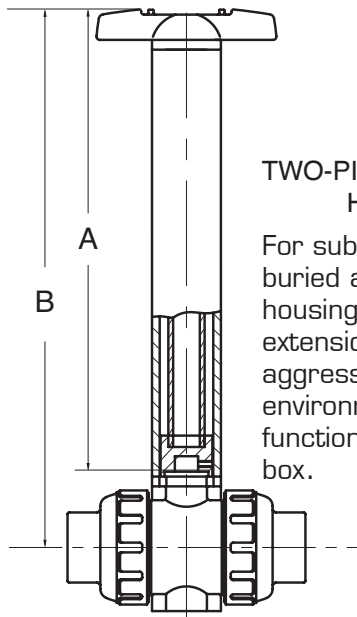


Ball Valve Stem Extensions and Options

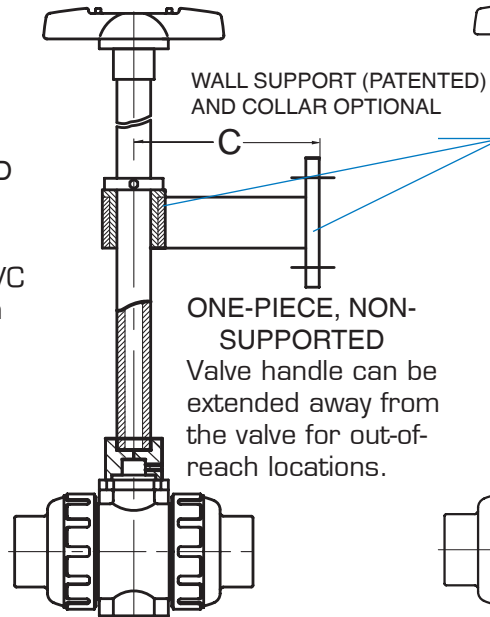
Stem Extensions



TWO-PIECE STEM AND HOUSING

For submerged or buried applications. PVC housing protects stem extensions from aggressive environments or functions as a valve box.

Style BV-A

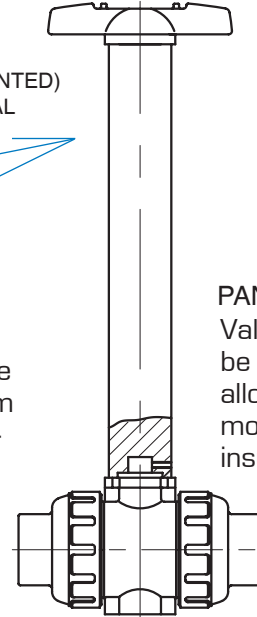


WALL SUPPORT (PATENTED) AND COLLAR OPTIONAL

ONE-PIECE, NON-SUPPORTED

Valve handle can be extended away from the valve for out-of-reach locations.

Style BV-B



PANEL MOUNT
Valve handle can be extended to allow for panel mount and pipe insulation

Style BV-P

All stem extension tolerances +/- 1 inch

Please use **Stem Extension Work Sheet on Page 21** when ordering any stem extension

Panel Mount

VALVE HANDLE IS EXTENDED FOR PANEL MOUNT (STYLE BV-P) APPLICATION. PLEASE SPECIFY LENGTH OF EXTENSION
1/2"-3" MIN LENGTH IS 2"
2-1/2"-3" MIN LENGTH IS 4"
12" MAX. LENGTH.



P-Series Manual Limit Switch

COMPACT TYPE 4X LIMIT SWITCH FOR REMOTE POSITION INDICATION OF MANUAL VALVES. INCLUDES 2-SPDT MECHANICAL SWITCHES, TERMINAL STRIP, VISUAL BEACON, ENCLOSURE, FACTORY MOUNT AND TESTING.



Remote Operating Nuts

2" SQUARE OPERATING NUTS OR "T" OPERATING NUTS MAY BE INSTALLED ON ANY BALL VALVE. THEY ARE USED FOR REMOTE OPERATION OF A VALVE WITH AN EXTENDED WRENCH.



Westlock Manual Limit Switch

TYPE 4X OR 7 LIMIT SWITCH FOR REMOTE POSITION INDICATION OF MANUAL VALVES INCLUDES 2-SPDT MECHANICAL SWITCHES, TERMINAL STRIP, VISUAL BEACON, ENCLOSURE, FACTORY MOUNTING & TESTING.

