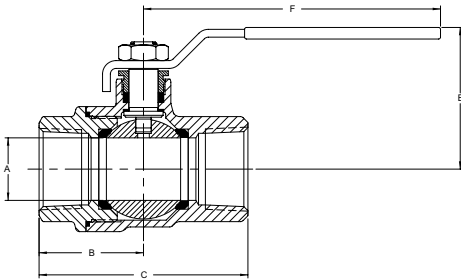
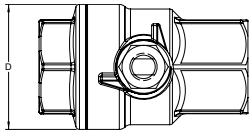


# COMMERCIAL PRODUCTS CATALOG

## Stainless Steel Full Port Ball Valves

### 76F-100-A SERIES



### STAINLESS STEEL FULL PORT BALL VALVE

Threaded, 2 piece design, 1/2"-2" 1000 psig CWP Cold Non-Shock, 150 psig. Saturated Steam, Vacuum Service to 29 inches Hg.

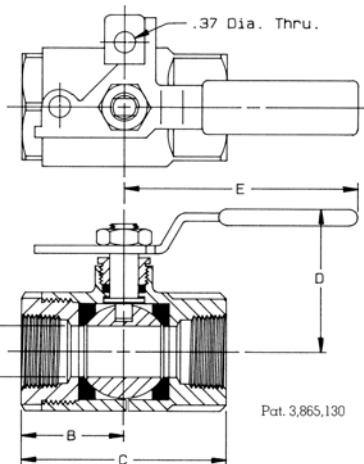
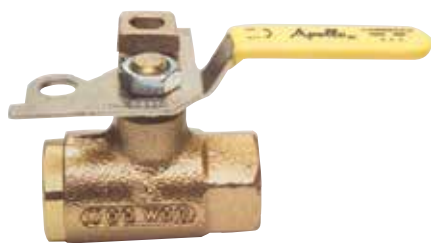
#### FEATURES

- 316 SS Investment cast components
- RPTFE seats
- Two-piece body
- Blow-out-proof stem design
- Adjustable packing gland
- (-24) Certified to API 607, 6th Edition, Class 600 burn
- Meets NACE MR-01-75-2000
- SS lever and nut
- Available with SS latch lock lever (-27)
- Therma Seal tee handle option (-11)
- Standard valve is certified **Lead Free**
- NSF/ANSI-61-G, NSF/ANSI 372 Lead Free

Model Number	Size (in.)	Dimensions (in.)						Wt.
		A	B	C	D	E	F	
76F-103-01A	1/2"	.50	1.21	2.35	1.27	1.73	3.85	0.57
76F-104-01A	3/4"	.75	1.39	2.77	1.62	1.96	3.85	0.91
76F-105-01A	1"	1.00	1.67	3.34	2.00	2.27	4.75	1.38
76F-106-01A	1-1/4"	1.25	1.96	3.92	2.73	3.21	7.77	4.17
76F-107-01A	1-1/2"	1.50	2.05	4.10	2.92	3.31	7.77	4.69
76F-108-01A	2"	2.00	2.37	4.74	3.75	3.69	7.77	6.90

## Padlocking Ball Valves

### 75-100-41 SERIES



### PADLOCKING BALL VALVE WITH AUTOMATIC DRAIN

Meets OSHA standards and provides for easy, safe maintenance of pneumatic tools. Valve drains downstream pressure for safety when lever is closed. Valve can be padlocked OPEN or CLOSED with same hardware.

#### FEATURES

- Blowout-proof stem design
- Adjustable packing gland
- ASTM B584 Bronze
- RPTFE seats and stuffing box ring
- Pad lock lever
- Rated to 125 psig - air or water
- Temperature range: 50°F to 200°F
- Valve without drain option (suffix -01)

Model Number	Size (in.)	Dimensions (in.)				
		A	B	C	D	E
75-101-41	1/4	0.43	1.12	2.25	1.81	3.00
75-102-41	3/8	0.50	1.12	2.25	1.81	3.00
75-103-41	1/2	0.50	1.12	2.25	1.81	3.00
75-104-41	3/4	0.87	1.68	3.37	2.25	3.87
75-105-41	1	0.87	1.68	3.37	2.25	3.87
75-106-41	1-1/4	1.00	2.00	4.00	2.62	5.50
75-107-41	1-1/2	1.25	2.16	4.37	2.87	5.50
75-108-41	2	1.50	2.34	4.68	3.06	5.50