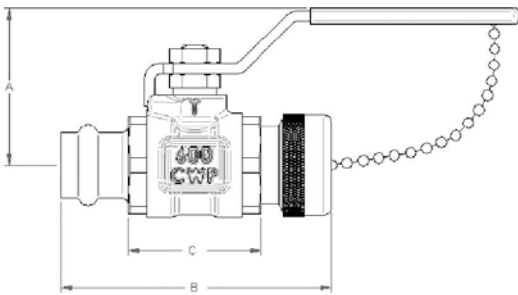


BALL VALVES

APOLLOXPRESS® Ball Valves

77W-HC SERIES



APOLLOXPRESS® x HOSE CAP & CHAIN BALL VALVE

Designed for direct mechanical connection to ASTM B88-Type K,L, and M copper tubing in the hard drawn condition for sizes 1/2"-3/4". Valves feature a 3/4" hose thread connection with heavy brass cap to protect the threads and is full pressure rated. Not for use with natural gas.

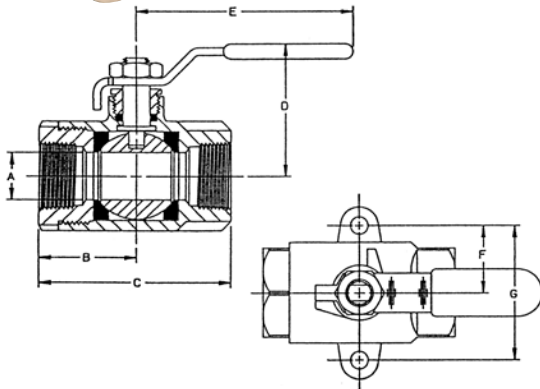
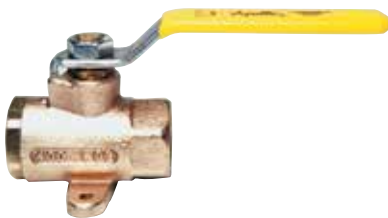
FEATURES

- Full port
- Ridgid® "XL" Press Tool compatible
- Leak Before Press® technology
- MSS SP-110 ball valves
- NSF/ANSI 61-G compliant (77WLF-HC)
- 77WLF supplied with Easily Identifiable White Handle Grip and Blue "Lead Free" Hang Tag
- Adjustable stem packing
- 250 CWP, non-shock to 250°F max.
- Excellent for hydronic heating (90% glycol max)
- Compatible with most 77C Series options
- **Made in the USA**
- Heavy brass dust cover is full pressure rated

Model Number	LF Model Number	Size (in.)	Dimensions (in.)			Wt. (lbs.)
			A	B	C	
77W-103-HC	77WLF-103-HC	1/2	1.80	3.12	1.54	0.61
77W-104-HC	77WLF-104-HC	3/4	2.01	3.45	1.72	1.09

Surface Mount Shut-Off Valves

78-256 SERIES



MULTI PURPOSE SHUT-OFF VALVE WITH MOUNTING EARS

Excellent for use with liquid fuels and often specified as a fuel tank shut-off valve in marine applications. All wetted parts are brass or cast bronze. Mounting ears for easy, positive installation.

FEATURES

- 400 psig CWP, non-shock
- Tested to 100 psig air under water
- Optional tee handle
- NPT threaded, both ends
- RPTFE seats and seals

Model Number	Size (in.)	Dimensions (in.)						
		A	B	C	D	E	F	G
78-248-01	1/4	0.43	1.12	2.25	1.78	3.87	0.93	1.87
78-250-01	3/8	0.43	1.12	2.25	1.78	3.87	0.93	1.87
78-256-01	1/2	0.50	1.12	2.25	1.78	3.87	0.93	1.87
78-438-01	3/4	0.68	1.50	3.00	2.12	4.87	1.06	2.12