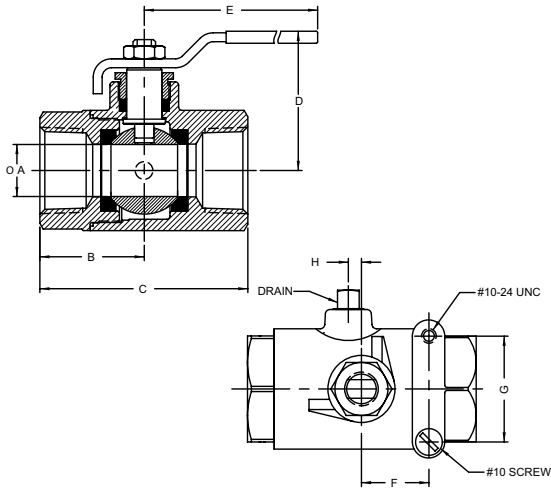


COMMERCIAL PRODUCTS CATALOG

Purge & Drain Valves

78-660 & 962 SERIES



BRONZE BALL VALVE WITH CENTER DRAIN

Center tap drain allows for winterization or purge and drain function. Features bronze body with built-in mounting pad for panel mounting or actuation. Ideal for hydronic heating and marine applications.

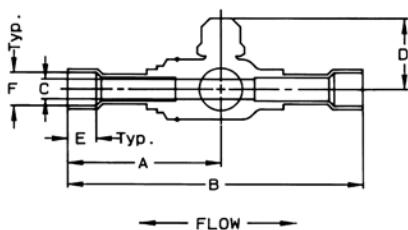
FEATURES

- 1/8" NPT side tap and plug
- RPTFE seats and stuffing box ring
- Stainless steel lever and nut
- Blowout-proof stem
- 600 psig CWP, non-shock
- Adjustable packing
- Drainable ball cavity to prevent freezing

Model Number	Size (in.)	Dimensions (in.)							
		A	B	C	D	E	F	G	H
78-664-01	3/4	0.68	1.50	3.00	2.12	4.87	0.87	1.37	0.17
78-665-01	1	0.87	1.68	3.37	2.25	4.87	0.87	1.37	0.21
78-666-01	1-1/4	1.00	2.00	4.00	2.62	5.50	0.93	1.50	0.28
78-667-01	1-1/2	1.25	2.18	4.37	3.05	8.00	0.93	1.50	0.40
78-962-01	2	1.50	2.34	4.68	3.24	8.00	0.93	1.50	0.45

"Safe" Solder Valves (Two-Piece)

79-700 SERIES



UL-LISTED REFRIGERANT BALL VALVE ASSEMBLY

Complete hermetically welded assembly includes copper extensions and forged brass refrigerant ball valve with capped, triple-sealed stem to minimize leaks.

FEATURES

- Chrome plated ball
- RPTFE seats and seals
- Full port through 2-5/8"
- Bi-directional flow design
- Sizes from 3/8" to 3-1/8" O.D. tube
- All sizes UL listed - SFJQ
- Rated 500 psig CWP, non-shock
- For use with refrigerant Group 2 fluids

Model Number	Size (in.)	Dimensions (in.)							Cv*
		A	B	C	D	E	F		
79-701-01	3/8	3.38	6.45	0.45	1.56	0.38	0.38	8.5	
79-702-01	1/2	3.38	6.45	0.45	1.56	0.38	0.50	8.5	
79-703-01	5/8	3.56	6.82	0.50	1.56	0.50	0.62	9.8	
79-704-01	7/8	3.91	7.53	0.68	1.79	0.75	0.87	32.0	
79-705-01	1-1/8	4.39	8.51	0.87	1.98	0.90	1.12	44.0	
79-706-01	1-3/8	4.42	8.94	1.25	2.62	0.96	1.38	66.0	
79-707-01	1-5/8	4.55	9.19	1.25	2.62	1.09	1.62	148.0	
79-708-01	2-1/8	5.16	10.31	1.50	2.93	1.34	2.12	218.0	
79-709-01	2-5/8	6.50	13.00	2.50	3.90	1.48	2.62	440.0	
79-600-01	3-1/8	7.00	14.00	2.50	3.90	1.67	3.12	390.0	

* The Cv factor is the gallons of water per minute that the valve will pass with 1 psig pressure drop.