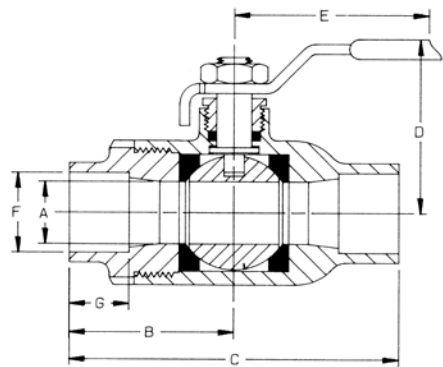
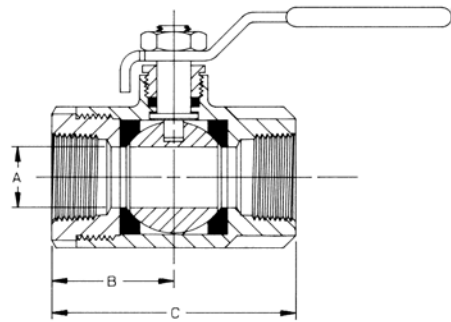


# COMMERCIAL PRODUCTS CATALOG

## General Purpose Ball Valves

### 70LF-100/200 SERIES



### LEAD FREE BRONZE BALL VALVE

The Apollo® 70LF series is the most widely used and trusted lead free bronze ball valve in the industry. It features blowout-proof stem, RPTFE seats and stuffing box ring and plated brass ball.

#### FEATURES

- EZ-Solder™ Lead Free Bronze
- Solders just like standard bronze
- Rated 600 psig CWP, non-shock
- 150 psig for saturated steam
- 100% factory tested
- Vacuum service to 29 in. Hg
- NSF/ANSI 61-G
- NSF/ANSI 372 Lead Free
- Adjustable packing gland
- Multiple options available (see pages 21-22)

LF Model Number	Size (in.)	Dimensions (in.)*		
		A	B	C
<b>NPT</b>				
70LF-101-01	1/4	0.37	1.03	2.06
70LF-102-01	3/8	0.37	1.03	2.06
70LF-103-01	1/2	0.50	1.12	2.25
70LF-104-01	3/4	0.68	1.50	3.00
70LF-105-01	1	0.87	1.68	3.37
70LF-106-01	1-1/4	1.00	2.00	4.00
70LF-107-01	1-1/2	1.25	2.18	4.37
70LF-108-01	2	1.50	2.34	4.68
70LF-109-01A	2-1/2	2.00	3.12	6.25
70LF-100-01	3	2.50	3.37	6.75
70LF-10A-01	4	3.12	3.68	7.37

\* Body only. Total will vary with handle and end connection options. Contact Conbraco Customer Service for additional dimensions.

NOTE: 1/4", 3/8", and 1/2" are full port.

LF Model Number	Size (in.)	Dimensions (in.)*						
		A	B	C	D	E	F	G
<b>Solder</b>								
70LF-202-01	3/8	0.37	1.28	2.56	1.75	3.87	0.505	0.37
70LF-203-01	1/2	0.50	1.43	2.87	1.75	3.87	0.63	0.50
70LF-204-01	3/4	0.68	1.93	3.87	2.12	4.87	0.88	0.75
70LF-205-01	1	0.87	2.25	4.50	2.25	4.87	1.13	0.90
70LF-206-01	1-1/4	1.00	2.31	4.62	2.62	5.50	1.38	0.96
70LF-207-01	1-1/2	1.25	2.62	5.25	3.06	8.00	1.63	1.09
70LF-208-01	2	1.50	3.18	6.37	3.25	8.00	2.13	1.34
70LF-209-01A	2-1/2	2.00	3.74	7.51	3.72	8.00	2.63	1.48
70LF-200-01	3	2.50	4.12	8.25	4.12	8.00	3.13	1.67
70LF-20A-01	4	3.12	4.61	9.22	5.22	9.94	4.13	2.16

\* Based on 70-200-01 – Dimensions may vary with options. Soldering temperature: 500°F or less

NOTE: 1/4", 3/8", and 1/2" are full port.